



KINSHOFER
crane and excavator attachments



ATTACHMENTS FOR EXCAVATORS & SKIDSTEERS



CANGINI



2023-V1



KINSHOFER GROUP COMPANY



23 companies, 11 brands, more than 4,000 products

The Kinshofer Group is one of the world's leading designers and manufacturers of attachments for construction machinery, such as excavators, backhoe loaders, skidsteer loaders, knuckle boom cranes and forklift trucks. The Kinshofer Group is a One-Stop-Attachment-Shop to our customers around the globe.

Day in and day out, all year 'round, people's decisions and needs create demand for transport and infrastructure solutions. Without the type of product and services the Kinshofer Group provides, the societies, where many of us live, would not function.

Find even more on our website
www.kinshofer.com

Simply moving the world with us.



kinshofer.com

	page
Attachments for Excavators	
Wood grab: WG	4
Wood grab: WG-SP	5
Multiscreening bucket: VMS	6
Mulcher: TC	7
Force one forestry mulcher: TX	8
Mixing bucket safe discharge: MIX-S	9
Earth drill and Auger: X1100-13 / X1600-15 / X2100-17 / 2200-20 / 2700-25 / 3300-30 & S4	10-11
Earth drill and Auger: 4000-30 / 5200-35 / 6000-40 & S5	12-13
Earth drill and Auger: 9000-45 & S6	14-15
Attachments for Skidsteers, Loaders and Telehandlers	
Wood grab: WG-F	16
Multiscreening frontal bucket: VMS-F	17
Mulcher: TC-F	18
Mixing bucket safe discharge: MIX-SF	19
Laser dozer blade: XPlane-F	20
Laser dozer blade with IOT-System: XPlane-F IOT	21
Sweeper bucket: SPZ	22
Sweeper: EASY SWEEPY S	23
Sweeper: EASY SWEEPY R	24
Two Year Warranty	25
Notes	26
Contact	27



Log handling requires strong tools, which support the operator in his work and guarantee efficient, quick and clean performance. Built with high-resistant materials, the SP wood grapple offers the operational and safety features needed for this kind of operations. Its great load capacity and clamping force make it the best tool for collecting and handling logs, branches, beams and sleepers, allowing for tidy collection of material. The double overlapping clamp guarantees firm grip and clamping, while the edge guards on the clamps assure a high compaction capacity.



Benefits:

- ▷ **Domex700:** Provides outstanding operational reliability, high breaking strength and excellent durability.
- ▷ **Safety:** A check valve is fitted as standard equipment on the clamp-closing cylinder, assuring a high safety level. In case of pressure loss on the hydraulic line that operates their movement, clamps remain in a locked position.

Wood Grabs for Excavators WG

Type	Width (mm/in)	Length (mm/in)	Height closed (mm/in)	Opening (mm/in)	Log diameter min. (mm/in)	Weight (kg/lbs)	Load capacity (kg/lbs)	Operating weight (t/lbs)
WG1000	330 / 13	610 / 24	410 / 16	1,090 / 43	70 / 2.8	48 / 106	500 / 1,102	1,2-1,8 / 2,646-3,968
WG1100	395 / 16	655 / 26	440 / 17	1,180 / 46	80 / 3.1	85 / 187	1,900 / 4,189	1,8-3,5 / 3,968-7,716
WG1300	425 / 17	735 / 29	495 / 19	1,400 / 55	75 / 3	118 / 260	2,100 / 4,630	3,5-4 / 7,716-8,818
WG1300HD	425 / 17	735 / 29	495 / 19	1,400 / 55	75 / 3	131 / 289	2,100 / 4,630	4-5 / 8,818-11,023
WG1500	490 / 19	815 / 32	580 / 23	1,610 / 63	95 / 3.7	196 / 432	3,100 / 6,834	5-7 / 11,023-15,432
WG1650	500 / 20	960 / 38	600 / 24	1,650 / 65	100 / 3.9	265 / 584	3,500 / 7,716	7-8 / 15,432-17,637
WG1750	514 / 20	1,030 / 41	630 / 25	1,740 / 69	120 / 4.7	280 / 617	4,000 / 8,818	8-10 / 17,637-22,046
WG1800	582 / 23	1,180 / 46	680 / 27	1,820 / 72	120 / 4.7	400 / 882	6,000 / 13,228	10-12 / 22,046-26,455
WG1800HD	582 / 23	1,180 / 46	680 / 27	1,820 / 72	120 / 4.7	440 / 970	6,000 / 13,228	12-15 / 26,455-33,069
WG2000	630 / 25	1,225 / 48	730 / 29	2,010 / 79	150 / 5.9	450 / 992	7,000 / 15,432	10-12 / 22,046-26,455
WG2000HD	630 / 25	1,225 / 48	730 / 29	2,010 / 79	150 / 5.9	505 / 1,113	7,000 / 15,432	15-18 / 33,069-39,683

Adapter or pin hitch on request

Accessories

Type	Description
Two pipe kit	It enables their rotation and the jaws opening and closing functions even on machines equipped with a single hydraulic double-effect line. Control kit with magnets to easily put it inside the cab.
Basic rotator	360° shaft rotator to drive the grab.
Flange rotator	360° hydraulic flanged rotator is ideal for heavy duty jobs.

Requirements of carrier machine

	WG1000	WG1100/1300/1500/1650	WG1750	WG1800/WG2000
Operating pressure:	max. 10 MPa (100 bar) / 1.450psi	max. 20 MPa (200 bar) / 2.901psi	max. 23 MPa (230 bar) / 3.336psi	max. 25 MPa (250 bar) / 3.626psi
Pump capacity max.:	50 l/min / 13 GPM			

Technical drawings

Two pipe kit





Log handling requires strong tools, which support the operator in his work and guarantee efficient, quick and clean performance. Built with high-resistant materials, the SP wood grapple offers the operational and safety features needed for this kind of operations. The high quality of the material used, particularly tough, stable Domex 700 steel, provides outstanding operational reliability, high breaking strength and excellent durability.



Benefits:

- ▷ **Safety:** A check valve is fitted as standard equipment on the clamp-closing cylinder, assuring a high safety level. In case of pressure loss on the hydraulic line that operates their movement, clamps remain in a locked position.
- ▷ **Domex700:** Provides outstanding operational reliability, high breaking strength and excellent durability.

Wood Grabs for Excavators WG-SP

Type	Width (mm/in)	Length (mm/in)	Height closed (mm/in)	Opening (mm/in)	Log diameter min. (mm/in)	Weight (kg/lbs)	Load capacity (kg/lbs)	Operating weight (t/lbs)
WG1100SP	425 / 16.7	610 / 24	440 / 17	1,210 / 48	80 / 3.1	100 / 221	1,900 / 4,189	1,8-3,5 / 3,968-7,716
WG1300SP	450 / 18	735 / 29	495 / 19	1,430 / 56	75 / 3	140 / 309	2,100 / 4,630	3,5-5 / 7,716-11,023
WG1500SP	530 / 21	815 / 32	580 / 23	1,650 / 65	95 / 3.7	225 / 496	3,100 / 6,834	5-7 / 11,023-15,432
WG1650SP	530 / 21	1,030 / 41	590 / 23	1,650 / 65	100 / 3.9	300 / 661	4,000 / 8,818	7-8 / 15,432-17,637
WG1800SP	640 / 25	1,180 / 46	680 / 27	1,845 / 73	120 / 4.7	440 / 970	6,000 / 13,228	8-12 / 17,637-26,455
WG2000SP	640 / 25	1,225 / 48	730 / 29	2,020 / 80	150 / 5.9	495 / 1.091	7,000 / 15,432	12-16 / 26,455-35,274

Adapter or pin hitch on request

Accessories

Type	Description
Two pipe kit	It enables their rotation and the jaws opening and closing functions even on machines equipped with a single hydraulic double-effect line. Control kit with magnets to easily put it inside the cab.
Basic rotator	360° shaft rotator to drive the grab.
Flange rotator	360° hydraulic flanged rotator is ideal for heavy duty jobs.

Requirements of carrier machine

	WG1100SP/1300SP/1500SP	WG1650SP	WG1800SP/WG2000SP
Operating pressure:	max. 20 MPa (200 bar) / 2.901psi	max. 23 MPa (230 bar) / 3.336psi	max. 25 MPa (250 bar) / 3.626psi
Pump capacity max.:	50 l/min / 13 GPM		

Technical drawings

Two pipe kit



The new multiscreening bucket with the new rotary double drum concept for machines up to 35 tons (7.716 lbs) is suitable for selection duties on turned soils and resulting materials. The material size change, from 25 - 65 mm (1 - 2.4 in), is controlled directly and hydraulically from the cab without replacing any mechanical part thus reducing the work times considerably.



Benefits:

- ▷ **HB400 drums:** The drums can afford high work rates thanks to their highly resistant material that extends their useful life.
- ▷ **Automatic screening system:** The new rotary double drum concept with hydraulic control from the cab allows to select the material size, from 25 to 60 mm (1-2,4 in) and up to 65 mm (2,5 in) for the vms20-vms30, without stopping the work cycle.

Multiscreening Bucket for Excavators VMS

Type	Width (mm/in)	Depth (mm/in)	Height (mm/in)	Drum diameter (mm/in)	Weight (kg/lbs)	Volume (liter/c.y)	Operating weight (t/lbs)
VMS7	800 / 31	1,200 / 47	930 / 37	650 / 26	372 / 820	180 / 0.24	5,0-7,5 / 11,023-16,535
VMS10	900 / 35	1,400 / 55	1,000 / 39	760 / 30	434 / 957	290 / 0.38	7,5-10,0 / 16,535-22,046
VMS14	1,000 / 39	1,550 / 61	1,120 / 44	870 / 34	640 / 1,411	420 / 0.55	10,0-14,0 / 22,046-30,865
VMS20	1,250 / 49	1,800 / 71	1,500 / 59	1,124 / 44	1,092 / 2,407	980 / 1.28	14,0-25,0 / 30,865-55,110
VMS30	1,800 / 71	2,300 / 90	1,950 / 77	1,550 / 61	2,300 / 5,071	2,390 / 3.13	25,0-35,0 / 55,110-77,160

Adapter or pin hitch on request


Accessories

Type	Description
DC-Teeth	Exchange teeth
DTE-Teeth	Exchange teeth
6-way solenoid valve kit	It allows both the rotating and the hydraulic sliding movements of the sieves on machines with single and double-effect line. Control kit with magnets to easily put it inside the cab.

Requirements of carrier machine

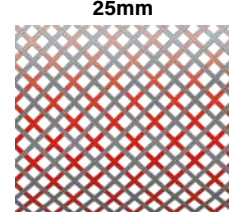
Operating pressure:	max. 35 MPa (350 bar) / 5.076psi		
Pump capacity (min-max):	VMS7 / VMS10 10-80 l/min / 2.6-21 GPM	VMS14 25-150 l/min / 7-39 GPM	VMS20 / VMS30 30-150 l/min / 7.9-39 GPM

Technical drawings

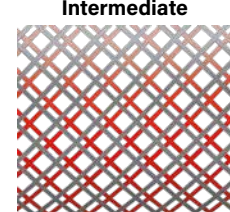


DC-Tooth

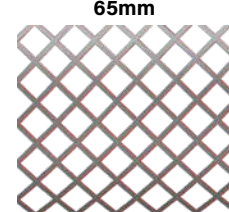
25mm




Intermediate



65mm







Designed for heavy-duty operations, it is equipped with a reinforced double-frame; an anti-shock shielding protects the bearings. Standard y blades with intermediate knife or hammers. flow-divider, pressure relief and bypass valves (for tc0-50 and tc0-70 only pressure relief valve). Maximum back-pressure allowed is 10 bar, therefore tc mulchers do not require any drainage line in most of the cases.



Benefits:

- ▷ **Integrated valve unit:** Throttle, pressure relief and bypass valves.
- ▷ **Coupling adjustment slide:** The coupling position can be differently adjusted.
- ▷ **Reinforced body:** Double reinforced body for a higher resistance to shocks.
- ▷ **Shaft with hammers:** Suitable for the cutting of shrubs or similar plants.
- ▷ **Shaft with blades:** Suitable for the cutting of grass or similar vegetation.

Mulcher for Excavators TC

Type	Width (mm/in)	Depth (mm/in)	Height (mm/in)	Weight (kg/lbs)	Cutting width (mm/in)	Cutting diameter max. (mm/in)	Operating weight (t/lbs)
TC0-50	715 / 28	516 / 20	417 / 17	70 / 154	500 / 20	15-20 / 0.6-0.8	1,0-1,5 / 2,204-3,307
TC0-70	915 / 36	516 / 20	417 / 17	83 / 183	700 / 28	15-20 / 0.6-0.8	1,0-1,5 / 2,204-3,307
TC1-60	800 / 31	640 / 25	461 / 18	100 / 220	600 / 24	20-30 / 0.8-1.2	1,5-3,5 / 3,307-7,716
TC1-80	1,000 / 39	640 / 25	461 / 18	115 / 254	800 / 31	20-30 / 0.8-1.2	1,5-3,5 / 3,307-7,716
TC1-100	1,200 / 47	640 / 25	461 / 18	125 / 276	1,000 / 39	20-30 / 0.8-1.2	1,5-3,5 / 3,307-7,716
TC2-80	980 / 39	810 / 32	530 / 21	245 / 540	800 / 31	40-60 / 1.6-2.4	3,5-6,5 / 7,716-14,330
TC2-100	1,180 / 46	810 / 32	530 / 21	270 / 595	1,000 / 39	40-60 / 1.6-2.4	3,5-6,5 / 7,716-14,330
TC2-120	1,380 / 54	810 / 32	530 / 21	300 / 661	1,200 / 47	40-60 / 1.6-2.4	3,5-6,5 / 7,716-14,330
TC3-110	1,280 / 50	830 / 33	575 / 23	375 / 827	1,100 / 43	60-80 / 2.4-3.1	6,5-10,0 / 14,330-22,046
TC3-130	1,480 / 58	830 / 33	575 / 23	412 / 908	1,300 / 51	60-80 / 2.4-3.1	6,5-10,0 / 14,330-22,046
TC4-110	1,300 / 51	855 / 34	620 / 24	455 / 1,003	1,100 / 43	80-100 / 3.1-3.9	10,0-15,0 / 22,046-33,069
TC4-130	1,600 / 63	855 / 34	620 / 24	505 / 1,113	1,300 / 51	80-100 / 3.1-3.9	10,0-15,0 / 22,046-33,069
TC4-150	1,800 / 71	855 / 34	620 / 24	540 / 1,190	1,500 / 59	80-100 / 3.1-3.9	10,0-15,0 / 22,046-33,069

Adapter or pin hitch on request

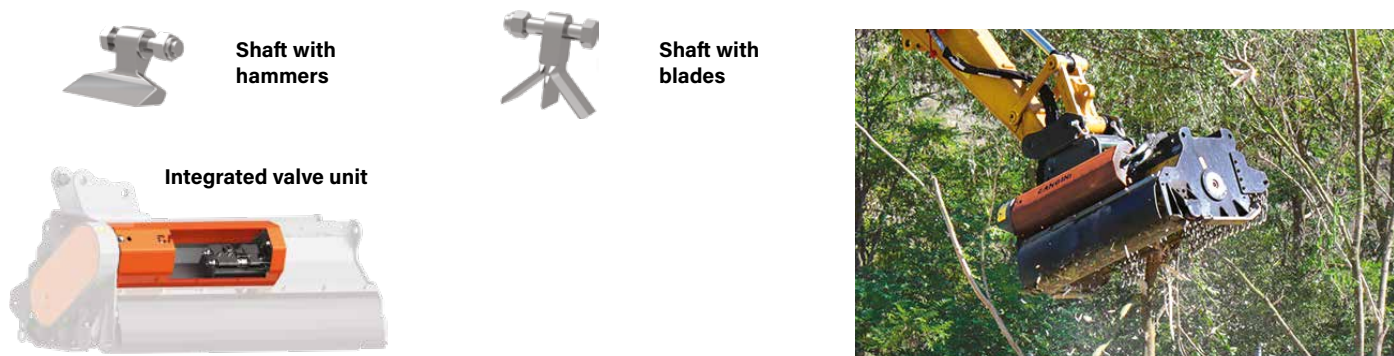
Accessories

Type	Description
Floating system	It enables the mulcher to follow the soil.
4 pipes hydraulic slewing ring	It steers the mulcher to adapt to any cutting need and allows it to cut in both directions, forwards and backwards.
Piston engine	Fit for particularly hard and continuous works. It needs the direct draining pipe to the tank!

Requirements of carrier machine

Operating pressure:	TC0-50 - TC2-120			TC3-110 - TC4-150	
	max. 25 MPa (250 bar) / 3.626psi			max. 28 MPa (280 bar) / 4.061psi	
	TC0	TC1	TC2	TC3	TC4
Pump capacity min.:	14 l/min / 3.6 GPM	18 l/min / 5 GPM	28 l/min / 7 GPM	55 l/min / 15 GPM	65 l/min / 17 GPM
Pump capacity max.:	14 l/min / 3.6 GPM	90 l/min / 24 GPM	90 l/min / 24 GPM	150 l/min / 40 GPM	150 l/min / 40 GPM

Technical drawings





The forestry mulcher has been designed to manage the heaviest workloads: The deep clearing of woods and forests. It is equipped with a piston engine to run at the most intense work pace. The excavator-type mulcher can reach the narrowest areas.

Benefits:

- ▷ **Mechanical coupling adjustment:** The coupling to the machine may be placed along the surface of the mulcher depending on the customer's requirements.
- ▷ **Automatic cooling system:** It is equipped with a forced-air ventilation system to help reduce overheating of the mulcher's hydraulic components.
- ▷ **HB400 reinforced skids**
- ▷ **Mechanical flaps opening:** It enhances the rotor power to deeply crush trunks.
- ▷ **Mulch-Rotor:** Designed for heavy-duty works, it specially fits the plant mulching.
- ▷ **Cutting-Rotor:** This rotor is highly versatile and suitable for multiple uses from cutting brushwood to tree grinding. It allows cutting from a diameter of 220mm / 7.8in up to a maximum of 280mm / 11in depending on the model used.



Mulcher for Excavators TC

Type	Width (mm/in)	Depth (mm/in)	Height (mm/in)	Weight (kg/lbs)	Cutting diameter (mm/in)	Rotor Diameter max. (mm/in)	Operating weight (t/lbs)
TX5-100				570 / 1.257	160 / 6.2		
TX5-100	1,300 / 51.2	720 / 28.3	740 / 29.1	535 / 1.180	220 / 8.7	405 / 15.9	10,0-15,0 / 22,046-33,069
TX5-100				550 / 1.213	220 / 8.7		
TX5-120				635 / 1.400	160 / 6.2		
TX5-120	1,540 / 60.6	720 / 28.3	740 / 29.1	600 / 1.323	220 / 8.7	405 / 15.9	10,0-15,0 / 22,046-33,069
TX5-120				610 / 1.345	220 / 8.7		
TX6-110				1060 / 2.337	200 / 7.8		
TX6-110	1,520 / 59.8	760 / 29.9	910 / 35.8	980 / 2.161	280 / 11	405 / 15.9	14,0-20,0 / 30,865-44,093
TX6-110				1010 / 2.227	280 / 11		
TX6-130				1160 / 2.557	200 / 7.8		
TX6-130	1,740 / 68.5	760 / 29.9	910 / 35.8	1060 / 2.337	280 / 11	405 / 15.9	14,0-20,0 / 30,865-44,093
TX6-130				1100 / 2.425	280 / 11		
TX6-150				1260 / 2.778	200 / 7.8		
TX6-150	1,950 / 76.7	760 / 29.9	910 / 35.8	1130 / 2.491	280 / 11	405 / 15.9	14,0-20,0 / 30,865-44,093
TX6-150				1180 / 2.601	280 / 11		

Adapter or pin hitch on request

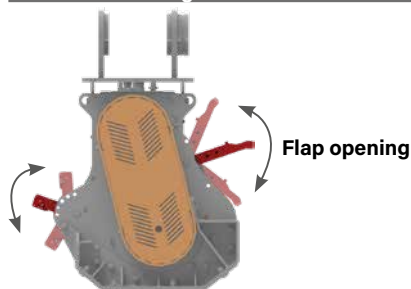
Accessories

Type	Description
Hydraulic flaps opening	It allows the opening of the single flap directly from the cab (thanks to a control kit with magnets to easily put it inside the cab) to enhance the rotor power to deeply crush trunks up to 220 mm (8.66 in).

Requirements of carrier machine

	TX5	TX6
Operating pressure:	max. 40 MPa (400 bar) / 5.800psi	max. 40 MPa (400 bar) / 5.800psi
Pump capacity min.-max.:	90 - 300 l/min / 23.7 - 79.3 GPM	110 - 300 l/min / 29 - 79.3 GPM

Technical drawings



Flap opening



Automatic cooling system

Rotor for mulching



Rotor for cutting





Gearbox transmission delivers high performance and is almost maintenance-free high performances and does not require continuous maintenance interventions. The use of dual cross relief and flow divider valves grants effectiveness and reliability even in the most difficult work conditions.

Benefits:

- ▷ **Safe locking/discharge (patented):** The operator locks the discharge pipe from the bucket's side in the safest work condition.
- ▷ **Control rod for the discharge pipe:** It enables the pipe's displacement for the side pouring.
- ▷ **Auger removal:** The bucket's body has been designed in a such way that the entire auger can be removed thus making the maintenance operation easier.
- ▷ **Electric kit:** It allows the control both of the mixing and the discharge operations from the cab.



Mixing Bucket MIX-S

Type	Width (mm/in)	Depth (mm/in)	Height (mm/in)	Weight (kg/lbs)	Volume (liter/c.y)	Diameter pipe (mm/in)
MIX150S.2	1,265 / 49.8	620 / 24	530 / 21	260 / 573	150 / 39.6	210 / 8
MIX200S.2	1,360 / 53.5	650 / 26	580 / 23	315 / 694	200 / 52.8	210 / 8
MIX250S.2	1,610 / 63.3	650 / 26	610 / 24	350 / 771	250 / 66	210 / 8
MIX350S.2	1,630 / 64	720 / 28	680 / 27	405 / 892	350 / 92.5	210 / 8
MIX450S.2	1,946 / 77	720 / 28	680 / 27	460 / 1.014	450 / 118.9	210 / 8
MIX600S.2	2,018 / 79	835 / 33	800 / 31	555 / 1.223	600 / 158.5	210 / 8

Adapter or pin hitch on request

Accessories

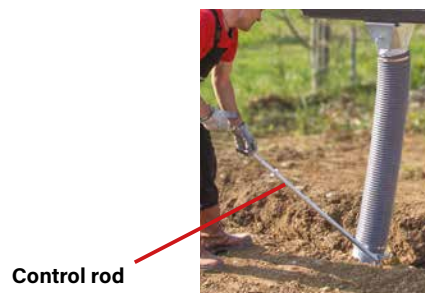
Type	Description
Flowrate reducers	Advised for machines with oilflow higher than 70 l/min (19 GPM).

Requirements of carrier machine

Operating pressure:	max. 20 MPa (200 bar) / 2.901psi
Pump capacity max.:	70 l/min / 19 GPM

Technical drawings

Safe locking/discharge (patented)



Electric kit



Earth Drills for Excavators

X1100-13 / X1600-15 / X2100-17 /
2200-20 / 2700-25 / 3300-30

The robust earth drills for micro and mini excavators from 1t/2,200lbs to 5t/11,000lbs operating weight are an economical and customized solution for drilling holes for e.g. fencing, road signage, landscaping and tree planting. Well borings, screw pile installations and sound barrier installations are also no problem for the earth drills. The earth drills are also suitable for backhoes, skidsteers and mini loaders.



Benefits:

- ▶ **Non Dislodgement Shaft (NDS)** for more safety and lower down times, as this unique construction prevents the output shaft from dislodgement.
- ▶ **Pre-filled with a colored gear oil.** Not only is the use of a colored oil a good indicator of correct service, but it also aids identifying possible hydraulic oil leaks.
- ▶ The heavy duty fabricated hoods feature **forged steel ears**; these high strength ears easily transmit the high torsional loads, experienced whilst drilling, without becoming fatigued.
- ▶ **Easy access oil service points.**



Earth Drills

Type	Shaft (mm/in)	Rotations (RPM)	Height (mm/in)	Diameter (mm/in)	Weight (kg/lbs)	Matching augers	Operating weight (t/lbs)
X1100-13	65/2.5 round	44 - 98	585 / 23	200 / 7.8	46 / 101	S4 100 - 400	1-2 / 2,200-4,400
X1600-15	65/2.5 round	43 - 99	585 / 23	200 / 7.8	47 / 103	S4 100 - 450	1-2.5 / 2,200-5,500
X2100-17	65/2.5 round	36 - 87	585 / 23	200 / 7.8	48 / 105	S4 100 - 500	1.5-3 / 3,300-6,600
2200-20	65/2.5 round	36 - 100	665 / 26	244 / 9.6	71 / 156	S4 100 - 600	2-4 / 4,400-8,800
2700-25	65/2.5 round	42 - 90	665 / 26	244 / 9.6	73 / 160	S4 100 - 750	2.5-4.5 / 5,500-9,900
3300-30	65/2.5 round	43 - 81	665 / 26	244 / 9.6	75 / 165	S4 100 - 900	3-5 / 6,600-11,000

Adapter or pin hitch on request

Accessories

Type	Description
S4 Ext-E 500	extension for X1100-13 to 3300-30 and S4 augers - 500mm/19.6in length
S4 Ext-E 1000	extension for X1100-13 to 3300-30 and S4 augers - 1,000mm/39.3in length
S4 TeleExt-E 1000 single pin hitch	telescopic extension for X1100-13 to 3300-30 and S4 augers - 1,000mm/39.3in length for earth drills X1100-13 to 3300-30
double pin hitch	for earth drills X1100-13 to 3300-30
cradle hitch	for earth drills X1100-13 to 3300-30

Technical data

Type	X1100-13	X1600-15	X2100-17	2200-20	2700-25	3300-30
Hydr. pressure:	70 - 205 bar 1,015 - 2,970 psi	70 - 240 bar 1,015 - 3,480 psi	70 - 240 bar 1,015 - 3,480 psi	80 - 240 bar 1,160 - 3,480 psi	80 - 240 bar 1,160 - 3,480 psi	80 - 240 bar 1,160 - 3,480 psi
Oil flow:	20 - 45 l/min 5 - 11.8 GPM	25 - 57 l/min 6.5 - 15 GPM	27 - 65 l/min 7.1 - 17.2 GPM	27 - 75 l/min 7.1 - 20 GPM	40 - 85 l/min 10.5 - 22.5 GPM	50 - 95 l/min 13 - 25.1 GPM
Torque range:	511 - 1496 Nm 376 - 1,103 ft.lbs	639 - 2190 Nm 471 - 1,615 ft.lbs	830 - 2847 Nm 612 - 2,099 ft.lbs	959 - 2877 Nm 707 - 2,121 ft.lbs	1205 - 3614 Nm 888 - 2,665 ft.lbs	1500 - 4499 Nm 11,06 - 3,318 ft.lbs

Pictures



single pin hitch



double pin hitch



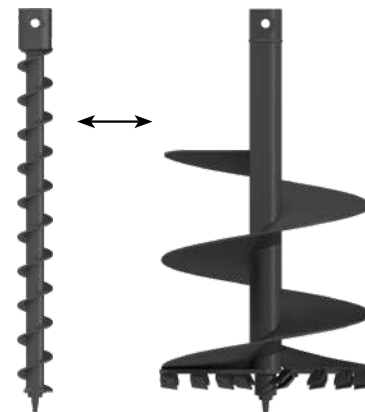
cradle hitch



extension



The S4 auger is perfectly matched to the earth drills with 1t/2.200lbs to 5t/11.000lbs operating weight and every task. A constant spiral configuration and a shallow pitch flight guarantee extreme efficiency and productivity.



Benefits:

- ▷ **Higher productivity** by constant spiral configuration and the perfectly angled tooth holder.
- ▷ **Interchangeable pilots and teeth** allow for differing ground conditions.
- ▷ **Easy fitting of teeth and pilots.**
- ▷ **Patented Shock Lock-System:** incorporating a shock absorbing rubber element to protect the tungsten carbide on the tooth assembly coupled with a solid locking pin to prevent tooth loss.
- ▷ **High flexibility** thanks to different auger extensions.

S4 Augers (specify choice of pilot and teeth when ordering)

Type	Diameter (mm/in)	Spiral length (mm/in)	Total length (mm/in)	Connection (mm/in)	Weight (kg/lbs)	Number of teeth	Tooth type
S4-100-E Earth					17 / 37.4	0	Earth
S4-100-E Tungsten	100 / 3.9	950 / 37.4	1,200 / 47.2	65 / 2.5 round	17 / 37.4	0	Tungsten
S4-100-E Extra-Dig					17 / 37.4	0	Extra-Dig*
S4-150-E Earth					21 / 46.2	2	Earth
S4-150-E Tungsten	150 / 5.9	780 / 30.7	1,200 / 47.2	65 / 2.5 round	22 / 48.4	2	Tungsten
S4-150-E Extra-Dig					22 / 48.4	2	Extra-Dig*
S4-200-E Earth					24 / 52.8	2	Earth
S4-200-E Tungsten	200 / 7.8	750 / 29.5	1,200 / 47.2	65 / 2.5 round	24 / 52.8	2	Tungsten
S4-200-E Extra-Dig					24 / 52.8	2	Extra-Dig*
S4-225-E Earth					27 / 59.4	2	Earth
S4-225-E Tungsten	225 / 8.8	750 / 29.5	1,200 / 47.2	65 / 2.5 round	28 / 61.6	2	Tungsten
S4-225-E Extra-Dig					27 / 59.4	2	Extra-Dig*
S4-250-E Earth					27 / 59.4	3	Earth
S4-250-E Tungsten	250 / 9.8	700 / 27.5	1,200 / 47.2	65 / 2.5 round	28 / 61.6	3	Tungsten
S4-250-E Extra-Dig					28 / 61.6	3	Extra-Dig*
S4-300-E Earth					32 / 70.4	4	Earth
S4-300-E Tungsten	300 / 11.8	700 / 27.5	1,200 / 47.2	65 / 2.5 round	33 / 72.6	4	Tungsten
S4-300-E Extra-Dig					32 / 70.4	4	Extra-Dig*
S4-350-E Earth					35 / 77	4	Earth
S4-350-E Tungsten	350 / 13.7	675 / 26.5	1,200 / 47.2	65 / 2.5 round	36 / 79.2	4	Tungsten
S4-350-E Extra-Dig					36 / 79.2	4	Extra-Dig*
S4-400-E Earth					38 / 83.6	5	Earth
S4-400-E Tungsten	400 / 15.7	625 / 24.6	1,200 / 47.2	65 / 2.5 round	39 / 85.8	5	Tungsten
S4-400-E Extra-Dig					38 / 83.6	5	Extra-Dig*
S4-450-E Earth					42 / 92.4	6	Earth
S4-450-E Tungsten	450 / 17.7	625 / 24.6	1,200 / 47.2	65 / 2.5 round	63 / 138.6	6	Tungsten
S4-450-E Extra-Dig					63 / 138.6	6	Extra-Dig*
S4-500-E Earth					48 / 105.6	6	Earth
S4-500-E Tungsten	500 / 19.6	625 / 24.6	1,200 / 47.2	65 / 2.5 round	48 / 105.6	6	Tungsten
S4-500-E Extra-Dig					48 / 105.6	6	Extra-Dig*
S4-600-E Earth					54 / 118.8	8	Earth
S4-600-E Tungsten	600 / 23.6	600 / 23.6	1,200 / 47.2	65 / 2.5 round	56 / 123.2	8	Tungsten
S4-600-E Extra-Dig					55 / 121	8	Extra-Dig*
S4-750-E Earth					70 / 154	9	Earth
S4-750-E Tungsten	750 / 29.5	525 / 20.6	1,200 / 47.2	65 / 2.5 round	71 / 156.2	9	Tungsten
S4-750-E Extra-Dig					71 / 156.2	9	Extra-Dig*
S4-800-E Earth					76 / 167.2	10	Earth
S4-800-E Tungsten	800 / 31.4	525 / 20.6	1,200 / 47.2	65 / 2.5 round	76 / 167.2	10	Tungsten
S4-800-E Extra-Dig					76 / 167.2	10	Extra-Dig*
S4-900-E Earth					87 / 191.4	10	Earth
S4-900-E Tungsten	900 / 35.4	525 / 20.6	1,200 / 47.2	65 / 2.5 round	88 / 193.6	10	Tungsten
S4-900-E Extra-Dig					88 / 193.6	10	Extra-Dig*

* Extra-dig = Tungsten-teeth and extra-dig pilot

The robust earth drills for excavator from 5t/11.000lbs to 8t/17.600lbs operating weight are an economical and customized solution for drilling holes for e.g. fencing, road signage, landscaping and tree planting. Well borings, screw pile installations and sound barrier installations are also no problem for the earth drills. The earth drills are also suitable for backhoes, high flow skidsteers and telehandlers.



Benefits:

- ▷ **Non Dislodgement Shaft (NDS)** for more safety and lower down times, as this unique construction prevents the output shaft from dislodgement.
- ▷ **Pre-filled with a colored gear oil.** Not only is the use of a colored oil a good indicator of correct service, but it also aids identifying possible hydraulic oil leaks.
- ▷ The heavy duty fabricated hoods feature **forged steel ears;** these high strength ears easily transmit the high torsional loads, experienced whilst drilling, without becoming fatigued.
- ▷ **Easy access oil service points.**



Earth Drills

Type	Shaft (mm/in)	Rotations (RPM)	Height (mm/in)	Diameter (mm/in)	Weight (kg/lbs)	Matching augers	Operating weight (t/lbs)
4000-30	75 / 2.9 square	30 - 87	780 / 30.7	269 / 10.5	108 / 237.6	S5 150 - 750	4,5-7 / 9,900-15,400
5200-35	75 / 2.9 square	36 - 81	780 / 30.7	269 / 10.5	112 / 246.4	S5 150 - 900	5-7 / 11,000-15,400
6000-40	75 / 2.9 square	33 - 70	780 / 30.7	269 / 10.5	116 / 255.2	S5 150 - 1000	6-8 / 13,200-17,600

Adapter or pin hitch on request

Accessories

Type	Description
S5 Ext-E 1000	extension for earth drills 4000-30 to 6000-40 and S5 augers – 1,000mm/39.3in Länge
S5 Ext-E 1500	extension for earth drills 4000-30 to 6000-40 and S5 augers – 1,500mm/59in Länge
S5 Ext-E 2000	extension for earth drills 4000-30 to 6000-40 and S5 augers – 2,000mm/78.7in Länge
S5 TeleExt-E 1500	telescopic extension for earth drills 4000-30 to 6000-40 and S5 augers from diameter 300mm/11.8in – 1,500mm/59in length
S5 TeleExt-E 2000	telescopic extension for earth drills 4000-30 to 6000-40 and S5 augers from diameter 300mm/11.8in – 2,000mm/78.7in length
single pin hitch	for earth drills 4000-30 to 6000-40
double pin hitch	for earth drills 4000-30 to 6000-40
cradle hitch	for earth drills 4000-30 to 6000-40

Technical data

Type	4000-30	5200-35	6000-40
Hydraulic pressure:	80 - 260 bar / 1,160 - 3,770 psi	80 - 260 bar / 1,160 - 3,770 psi	80 - 260 bar / 1160 - 3770 psi
Oil flow:	40 - 115 l/min / 10.5 - 30.3 GPM	60 - 135 l/min / 16 - 35.6 GPM	70 - 150 l/min / 18.5 - 40 GPM
Torque range:	1,685 - 5,477 Nm / 1,242 - 4,039 ft.lbs	2,133 - 6,931 Nm / 1,573 - 5,111 ft.lbs	2,717 - 8,152 Nm / 2,003 - 6,012 ft.lbs

Pictures

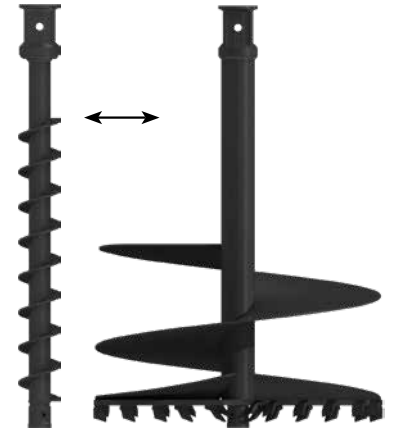


The S5 auger is perfectly matched to the corresponding earth drills and every task. A constant spiral configuration and a shallow pitch flight guarantee extreme efficiency and productivity.



Benefits:

- ▷ **Higher productivity** by constant spiral configuration and the perfectly angled tooth holder.
- ▷ **Interchangeable pilots and teeth** allow for differing ground conditions.
- ▷ **Easy fitting of teeth and pilots.**
- ▷ **Patented Shock Lock-System:** incorporating a shock absorbing rubber element to protect the tungsten carbide on the tooth assembly coupled with a solid locking pin to prevent tooth loss.
- ▷ **High flexibility** thanks to different auger extensions and telescopic extensions.



S5 Augers (specify choice of pilot and teeth when ordering)

Type	Diameter (mm/in)	Spiral length (mm/in)	Total length (mm/in)	Connection (mm/in)	Weight (kg/lbs)	Number of teeth	Tooth type
S5-150-E Earth					36 / 79.2	0	Earth
S5-150-E Tungsten	150 / 5.9	1,080 / 42.5	1,500 / 59	75 / 2.9 square	36 / 79.2	0	Tungsten
S5-150-E Rock					37 / 81.4	2	Rock
S5-200-E Earth					41 / 90.2	2	Earth
S5-200-E Tungsten	200 / 7.8	977 / 38.4	1,500 / 59	75 / 2.9 square	40 / 88	2	Tungsten
S5-200-E Rock					40 / 88	3	Rock
S5-225-E Earth					45 / 99	2	Earth
S5-225-E Tungsten	225 / 8.8	975 / 38.3	1,500 / 59	75 / 2.9 square	44 / 96.8	2	Tungsten
S5-225-E Rock					44 / 96.8	4	Rock
S5-250-E Earth					46 / 101.2	2	Earth
S5-250-E Tungsten	250 / 9.8	965 / 37.9	1,500 / 59	75 / 2.9 square	46 / 101.2	2	Tungsten
S5-250-E Rock					45 / 99	4	Rock
S5-300-E Earth					51 / 112.2	4	Earth
S5-300-E Tungsten	300 / 11.8	900 / 35.4	1,500 / 59	75 / 2.9 square	51 / 112.2	4	Tungsten
S5-300-E Rock					50 / 110	5	Rock
S5-350-E Earth					56 / 123.2	4	Earth
S5-350-E Tungsten	350 / 13.7	900 / 35.4	1,500 / 59	75 / 2.9 square	56 / 123.2	4	Tungsten
S5-350-E Rock					55 / 121	6	Rock
S5-400-E Earth					62 / 136.4	5	Earth
S5-400-E Tungsten	400 / 15.7	875 / 34.4	1,500 / 59	75 / 2.9 square	61 / 134.2	5	Tungsten
S5-400-E Rock					59 / 129.8	7	Rock
S5-450-E Earth					66 / 145.2	6	Earth
S5-450-E Tungsten	450 / 17.7	750 / 29.5	1,500 / 59	75 / 2.9 square	66 / 145.2	6	Tungsten
S5-450-E Rock					63 / 138.6	8	Rock
S5-500-E Earth					73 / 160.6	6	Earth
S5-500-E Tungsten	500 / 19.6	750 / 29.5	1,500 / 59	75 / 2.9 square	73 / 160.6	6	Tungsten
S5-500-E Rock					73 / 160.6	6	Rock
S5-600-E Earth					84 / 184.8	8	Earth
S5-600-E Tungsten	600 / 23.6	750 / 29.5	1,500 / 59	75 / 2.9 square	84 / 184.8	8	Tungsten
S5-600-E Rock					82 / 180.4	11	Rock
S5-750-E Earth					101 / 222.2	9	Earth
S5-750-E Tungsten	750 / 29.5	700 / 27.5	1,500 / 59	75 / 2.9 square	101 / 222.2	9	Tungsten
S5-750-E Rock					95 / 209	14	Rock
S5-800-E Earth					109 / 239.8	9	Earth
S5-800-E Tungsten	800 / 31.4	700 / 27.5	1,500 / 59	75 / 2.9 square	109 / 239.8	9	Tungsten
S5-800-E Rock					113 / 248.6	15	Rock
S5-900-E Earth					137 / 301.4	10	Earth
S5-900-E Tungsten	900 / 35.4	700 / 27.5	1,500 / 59	75 / 2.9 square	137 / 301.4	10	Tungsten
S5-900-E Rock					133 / 292.6	17	Rock
S5-1000-E Earth					119 / 261.8	11	Earth
S5-1000-E Tungsten	1,000 / 39.3	525 / 20.6	1,500 / 59	75 / 2.9 square	119 / 261.8	11	Tungsten
S5-1000-E Rock					133 / 292.6	19	Rock



The robust earth drill 9000-45 for excavator from 8t/17.600lbs to 13t/28.600lbs operating weight is an economical and customized solution for drilling holes for e.g. fencing, road signage, landscaping and tree planting. Well borings, screw pile installations and sound barrier installations are also no problem for the earth drills.

- ▷ **Non Dislodgement Shaft (NDS)** for more safety and lower down times, as this unique construction prevents the output shaft from dislodgement.
- ▷ **Pre-filled with a colored gear oil.** Not only is the use of a colored oil a good indicator of correct service, but it also aids identifying possible hydraulic oil leaks.
- ▷ The heavy duty fabricated hoods feature **forged steel ears**; these high strength ears easily transmit the high torsional loads, experienced whilst drilling, without becoming fatigued.
- ▷ **Easy access oil service points.**
- ▷ Optional for screw pile installation: **Torque meter** for real time applied torque measuring.



12000MAX

Earth Drills

Type	Shaft (mm/in)	Rotations (RPM)	Height (mm/in)	Diameter (mm/in)	Weight (kg/lbs)	Matching augers	Operating weight (t/lbs)
9000-45	75 / 2.9 square	25 - 54	930 / 36.6	290 / 11.4	172 / 378.4	S6 150 - 1000	8-13 / 17,600-28,600

Adapter or pin hitch on request

Accessories

Type	Description
S6 Ext-E 1500	extension for earth drill 9000-45 and S6 augers – 1,500mm/59in length
S6 Ext-E 2000	extension for earth drill 9000-45 and S6 augers – 2,000mm/78.7in length
S6 Ext-E 2500	extension for earth drill 9000-45 and S6 augers – 2,500mm/98.4in length
S6 Ext-E 3000	extension for earth drill 9000-45 and S6 augers – 3,000mm/118.1in length
S6 TeleExt-E 1500	telescopic extension for earth drill 9000-45 and S6 augers from diameter 300mm/11.8in – 1,500mm/59in length
S6 TeleExt-E 2000	telescopic extension for earth drill 9000-45 and S6 augers from diameter 300mm/11.8in – 2,000mm/78.7in length
single pin hitch	for earth drill 9000-45
double pin hitch	for earth drill 9000-45
cradle hitch	for earth drill 9000-45
TM25	torque meter for screw pile installations up to 25000Nm/18.437ft.lbs
Alignment Monitor	alignment monitor for vertical adjustment of the auger

Technical data

Hydraulic pressure:	80 - 240 bar / 1,160 - 3,480 psi
Oil flow:	80 - 170 l/min / 21 - 44.9 GPM
Torque range:	3998 - 11995 Nm / 2.948 - 8.846 ft.lbs

Pictures



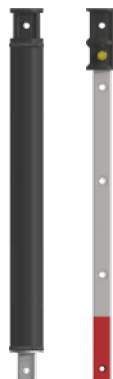
single pin hitch



double pin hitch



cradle hitch



extension / telescopic extension



bi-directional valve



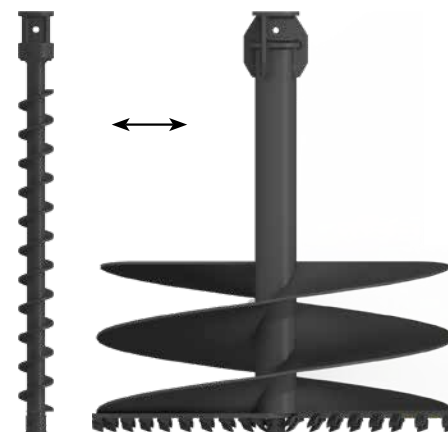
pressure limitation



The S6 auger is perfectly matched to the corresponding earth drills and every task. A constant spiral configuration and a shallow pitch flight guarantee extreme efficiency and productivity.



- ▷ **Higher productivity** by constant spiral configuration and the perfectly angled tooth holder.
- ▷ **Interchangeable pilots and teeth** allow for differing ground conditions.
- ▷ **Easy fitting of teeth and pilots.**
- ▷ **Patented Shock Lock-System:** incorporating a shock absorbing rubber element to protect the tungsten carbide on the tooth assembly coupled with a solid locking pin to prevent tooth loss.
- ▷ **High flexibility** thanks to different auger extensions and telescopic extensions.



S6 Augers (specify choice of pilot and teeth when ordering)

Type	Diameter (mm/in)	Spiral length (mm/in)	Total length (mm/in)	Connection (mm/in)	Weight (kg/lbs)	Number of teeth	Tooth type
S6-150-E Earth					58 / 116	0	Earth
S6-150-E Tungsten	150 / 5.9	1,320 / 51.9	1,880 / 74	75 / 2.9 square	58 / 116	0	Tungsten
S6-150-E Rock					58 / 116	2	Rock
S6-200-E Earth					55 / 121	2	Earth
S6-200-E Tungsten	200 / 7.8	1,200 / 47.2	1,880 / 74	75 / 2.9 square	59 / 129.8	2	Tungsten
S6-200-E Rock					59 / 129.8	3	Rock
S6-225-E Earth					62 / 136.4	2	Earth
S6-225-E Tungsten	225 / 8.8	1,203 / 47.3	1,880 / 74	75 / 2.9 square	62 / 136.4	2	Tungsten
S6-225-E Rock					62 / 136.4	4	Rock
S6-250-E Earth					67 / 147.4	2	Earth
S6-250-E Tungsten	250 / 9.8	1,225 / 48.2	1,880 / 74	75 / 2.9 square	67 / 147.4	2	Tungsten
S6-250-E Rock					66 / 145.2	4	Rock
S6-300-E Earth					82 / 180.4	4	Earth
S6-300-E Tungsten	300 / 11.8	1,200 / 47.2	1,880 / 74	75 / 2.9 square	82 / 180.4	4	Tungsten
S6-300-E Rock					81 / 178.2	5	Rock
S6-350-E Earth					90 / 198	4	Earth
S6-350-E Tungsten	350 / 13.7	1,125 / 44.2	1,880 / 74	75 / 2.9 square	90 / 198	4	Tungsten
S6-350-E Rock					89 / 195.8	6	Rock
S6-400-E Earth					98 / 215.6	5	Earth
S6-400-E Tungsten	400 / 15.7	1,000 / 39.3	1,880 / 74	75 / 2.9 square	98 / 215.6	5	Tungsten
S6-400-E Rock					97 / 213.4	7	Rock
S6-450-E Earth					111 / 244.2	6	Earth
S6-450-E Tungsten	450 / 17.7	1,000 / 39.3	1,880 / 74	75 / 2.9 square	111 / 244.2	6	Tungsten
S6-450-E Rock					109 / 239.8	8	Rock
S6-500-E Earth					125 / 275	6	Earth
S6-500-E Tungsten	500 / 19.6	1,000 / 39.3	1,880 / 74	75 / 2.9 square	125 / 275	6	Tungsten
S6-500-E Rock					123 / 270.6	9	Rock
S6-600-E Earth					137 / 301.4	8	Earth
S6-600-E Tungsten	600 / 23.6	900 / 35.4	1,880 / 74	75 / 2.9 square	138 / 303.6	8	Tungsten
S6-600-E Rock					136 / 299.2	11	Rock
S6-750-E Earth					168 / 369.6	9	Earth
S6-750-E Tungsten	750 / 29.5	875 / 34.4	1,880 / 74	75 / 2.9 square	168 / 369.6	9	Tungsten
S6-750-E Rock					170 / 374	14	Rock
S6-800-E Earth					189 / 415.8	9	Earth
S6-800-E Tungsten	800 / 31.4	875 / 34.4	1,880 / 74	75 / 2.9 square	189 / 415.8	9	Tungsten
S6-800-E Rock					187 / 411.4	15	Rock
S6-900-E Earth					224 / 492.8	10	Earth
S6-900-E Tungsten	900 / 35.4	875 / 34.4	1,880 / 74	75 / 2.9 square	224 / 492.8	10	Tungsten
S6-900-E Rock					221 / 486.2	17	Rock
S6-1000-E Earth					229 / 503.8	11	Earth
S6-1000-E Tungsten	1,000 / 39.3	700 / 27.5	1,880 / 74	75 / 2.9 square	229 / 503.8	11	Tungsten
S6-1000-E Rock					226 / 497.2	19	Rock
S6-1200-E Earth					316 / 695.2	15	Earth
S6-1200-E Tungsten	1,200 / 47.2	600 / 23.6	1,880 / 74	75 / 2.9 square	316 / 695.2	15	Tungsten
S6-1200-E Rock					316 / 695.2	23	Rock
S6-1500-E Earth					-	-	Earth
S6-1500-E Tungsten	1,500 / 59	600 / 23.6	1,880 / 74	75 / 2.9 square	-	-	Tungsten
S6-1500-E Rock					-	-	Rock

The log grapple can be equipped with 360° hydraulic rotation, parts subject to greater wear are made of domex 700. Standard equipment includes a block valve on the closing cylinder.



Benefits:

- ▷ Front wood grabs with hydraulic 360° rotation
- ▷ Serrated blade as support to material handling: It offers a support base during the handling of the lifted material.



Wood Grabs for Skidsteers WG-F

Type	Width (mm/in)	Length (mm/in)	Height closed (mm/in)	Opening (mm/in)	Log diameter min. (mm/in)	Weight (kg/lbs)	Load capacity (kg/lbs)
WGF 100	330 / 13	610 / 24	410 / 16	1,090 / 43	70 / 2	166 / 366	500 / 1,102
WGF 110	395 / 16	655 / 26	440 / 17	1,180 / 46	80 / 3.1	210 / 462	1,000 / 2,204
WGF 130	425 / 17	735 / 29	495 / 19	1,400 / 55	75 / 2.9	240 / 529	1,000 / 2,204

Accessories

Type	Description
2 hoses kit	It allows the functioning of the rotation and opening/closing of the claws on machines provided with one double effect line. Control kit with magnets to easily put it inside the cab.

Requirements of carrier machine

Operating pressure:	max. 20 MPa (200 bar) / 2.901psi
Pump capacity max.:	50 l/min / 13 GPM

Technical drawings



The new multiscreening bucket with the new rotary double drum concept for frontal coupling and machines up to 14 tons (30865 lb) is suitable for selection duties on turned soils and resulting materials. The material size change from 25 to 60 mm (1 - 2,4 in). The bucket is controlled directly and hydraulically from the cab without replacing any mechanical part thus reducing the work times considerably.



Benefits:

- ▷ **HB400 drums:** The drums can afford high work paces thanks to their highly resistant material that extends their useful life
- ▷ **Automatic screening system:** The new rotary double drum concept with hydraulic control from the cab allows to select the material size, from 25 to 60 mm (1 - 2,4 in), without stopping the work cycle.
- ▷ **2 hoses kit:** It allows the functioning of the rotation and hydraulic shifting of the screening drums also on machines provided with a double effect line. Control kit with magnets to easily put it inside the cab.
- ▷ **Operating load and optimal working condition**

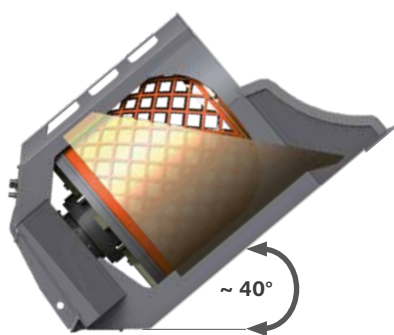
Multiscreening Frontal Bucket for Skidsteers VMS-F

Type	Width (mm/in)	Depth (mm/in)	Height (mm/in)	Drum diameter (mm/in)	Weight (kg/lbs)	Volume (liter/c.y)	Material diameter min. - max. (mm/in)
VMS-F6	1,200 / 47	1,270 / 50	780 / 31	650 / 26	360 / 794	170 / 44.9	25-65 / 1-2.6
VMS-F8	1,400 / 55	1,420 / 56	890 / 35	760 / 30	450 / 992	285 / 75.3	25-65 / 1-2.6
VMS-F10	1,600 / 63	1,550 / 61	950 / 37	870 / 34	600 / 1.323	400 / 105.7	25-65 / 1-2.6

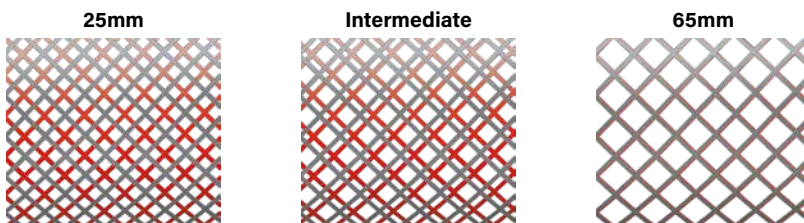
Requirements of carrier machine

Operating pressure: max. 35 MPa (350 bar) / 5.076psi
 Pump capacity max.: 80 l/min / 21 GPM

Technical drawings



Screening systems





The front tc mulcher is made of a double body in order to increase the tool's resistance to shocks. it's equipped with mechanical (hydraulic upon request) side-shifting and vertical floating systems. adjustment to the horizontal plane of $\pm 10^\circ$. also equipped with bypass, pressure relief and flow-divider valves, standard y blades with intermediate knife or hammers.

Benefits:

- ▷ **Integrated valve unit:** Throttle, pressure relief and bypass valves.
- ▷ **Mechanical side-shifting (l-r):** It shifts the mulcher on both sides with respect to the machine track.
- ▷ **Reinforced body:** Double reinforced body for a higher resistance to shocks.
- ▷ **Shaft with hammers:** Suitable for the cutting of shrubs or similar plants.
- ▷ **Shaft with blades:** Suitable for the cutting of grass or similar vegetation.
- ▷ **Floating system:** It enables the mulcher to follow the soil.
- ▷ **Self-levelling of the horizontal plane of $\pm 10^\circ$.**



Mulcher for Skidsteers TC-F

Type	Width (mm/in)	Depth incl. frame (mm/in)	Height (mm/in)	Weight (kg/lbs)	Cutting width (mm/in)	Cutting diameter hammer blades max. (mm/in)
TC1F-120	1,400 / 55	800 / 31	510 / 20	175 / 386	1200 / 47	20-30 / 0.8-1.2
TC2F-140	1,580 / 62	1,300 / 51	485 / 19	550 / 1.213	1400 / 55	40-60 / 1.6-2.4
TC3F-160	1,780 / 70	1,320 / 52	555 / 22	610 / 1.345	1600 / 63	60-80 / 2.4-3.1
TC3F-180	1,980 / 78	1,320 / 52	555 / 22	650 / 1.433	1800 / 71	60-80 / 2.4-3.1
TC4F-200	2,200 / 87	1,380 / 54	575 / 23	820 / 1.808	2000 / 79	80-100 / 3.1-3.9
TC4F-220	2,400 / 94	1,380 / 54	575 / 23	860 / 1.896	2200 / 87	80-100 / 3.1-3.9

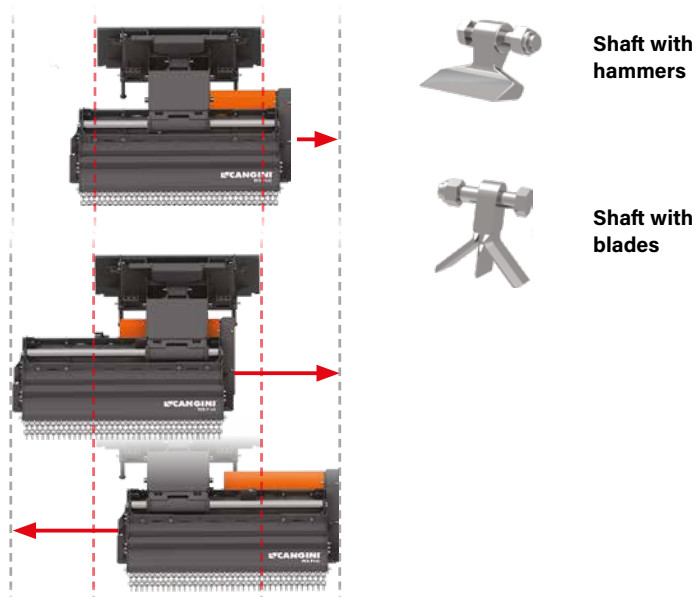
Accessories

Type	Description
Hydraulic side shift	It allows to hydraulically control the side-shifting of the mulcher to the right, directly from the cab. Control kit with magnets to easily put it inside the cab.
Piston engine	Fit for particularly hard and continuous works. It needs the direct draining pipe to the tank!

Requirements of carrier machine

Operating pressure:	TC1F-120 & TC2F-140 max. 25 MPa (250 bar) / 3.626psi		TC3F & TC4F max. 28 MPa (280 bar) / 4.061psi	
	TC1F-120	TC2F-140	TC3F	TC4F
Pump capacity min.:	22 l/min / 6 GPM	28 l/min / 7 GPM	55 l/min / 14 GPM	65 l/min / 17 GPM
Pump capacity max.:	90 l/min / 24 GPM	90 l/min / 24 GPM	150 l/min / 40 GPM	150 l/min / 40 GPM

Technical drawings



Gearbox transmission delivers high performance and is almost maintenance-free high performances and does not require continuous maintenance interventions. The use of dual cross relief and flow divider valves grants effectiveness and reliability even in the most difficult work conditions.



Benefits:

- ▷ **Safe locking/discharge (patented):** The operator locks the discharge pipe from the bucket's side in the safest work condition.
- ▷ **Control rod for the discharge pipe:** It enables the pipe's displacement for the side pouring.
- ▷ **Auger removal:** The bucket's body has been designed in a such way that the entire auger can be removed thus making the maintenance operation easier.
- ▷ **Electric kit:** It allows the control both of the mixing and the discharge operations from the cab.



Mixing Bucket for Skidsteers MIX-SF

Type	Width (mm/in)	Depth (mm/in)	Height (mm/in)	Weight (mm/in)	Volume (liter/c.y)	Diameter pipe (mm/in)
MIX150SF.2	1,265 / 49.8	620 / 24	530 / 21	260 / 573	150 / 39.6	210 / 8
MIX200SF.2	1,360 / 53.5	650 / 26	580 / 23	315 / 694	200 / 52.8	210 / 8
MIX250SF.2	1,610 / 63.3	650 / 26	610 / 24	350 / 771	250 / 66	210 / 8
MIX350SF.2	1,630 / 64	720 / 28	680 / 27	370 / 816	350 / 92.5	210 / 8
MIX450SF.2	1,946 / 77	720 / 28	680 / 27	425 / 937	450 / 118.9	210 / 8
MIX600SF.2	2,018 / 79	835 / 33	800 / 31	555 / 1.223	600 / 158.5	210 / 8
MIX800SF.2	2,230 / 87.7	910 / 36	840 / 33	675 / 1.488	800 / 211.3	210 / 8
MIX1000SF.2	2,440 / 96	990 / 39	910 / 36	850 / 1.874	1,000 / 264.2	210 / 8
MIX1200SF.2	2,440 / 96	1,100 / 43	980 / 39	905 / 1.995	1,200 / 317	210 / 8

Accessories

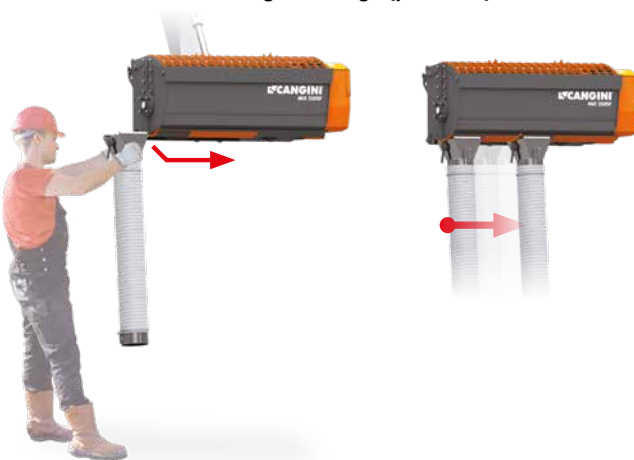
Type	Description
Flowrate reducers	Advised for machines with oilflow higher than 70 l/min (19 GPM).

Requirements of carrier machine

Operating pressure:	max. 20 MPa (200 bar) / 2.901psi	
Pump capacity max.:	MIX150SF - MIX1000SF 70 l/min / 19 GPM	MIX1200SF 100 l/min / 26 GPM

Technical drawings

Safe locking/discharge (patented)



Control rod



The laser dozer system can rely on the same characteristics of versatility and resistance as the standard dozer blade, but it also allows creating a plane thanks to a double-slope laser transmitter. Taking its effect directly on the electro-proportional distributor, the transmitter drives the blade. The operator's terminal inside the cab conveys the controls to the control box by wireless communication. This allows to close the cab avoiding cable obstacle.



- ▷ **Wireless operator's terminal:** Allows piloting of all blade functions from the cab of the machine with no wires to interfere when doors are shut.
- ▷ **Tilt horizontal hydraulic tilting adjustment of $\pm 8^\circ$:** Hydraulic adjustment up to max. $\pm 8^\circ$ of the blade vertical tilting angle on both sides.
- ▷ **Angle side hydraulic tilting adjustment of $\pm 15^\circ$:** Hydraulic adjustment up to max. $\pm 15^\circ$ of the blade horizontal tilting angle on both sides
- ▷ **Reversible and interchangeable central cutting edge in HB400.**
- ▷ **Control box:** It allows the constant view the blade positioning with respect to the laser signal and indicates the adjustments manually or automatically operated.
- ▷ **Stabilizing skid:** Can be regulated directly from the cab and increases productivity with the same quality and finishing. For correct operation, the third hose must be connected to a dump line.



Laser Dozer Blade for Skidsteers XPlane-F

Type	Width (mm/in)	Depth (mm/in)	Height (mm/in)	Weight (kg/lbs)
DOZER230 XPLANE LASER	2,300 / 90.5	870 / 34.2	720 / 28.3	695 / 1,532
DOZER250 XPLANE LASER	2,500 / 98.4	870 / 34.2	720 / 28.3	717 / 1,581
DOZER280 XPLANE LASER	2,800 / 110.2	870 / 34.2	720 / 28.3	736 / 1,623

Accessories

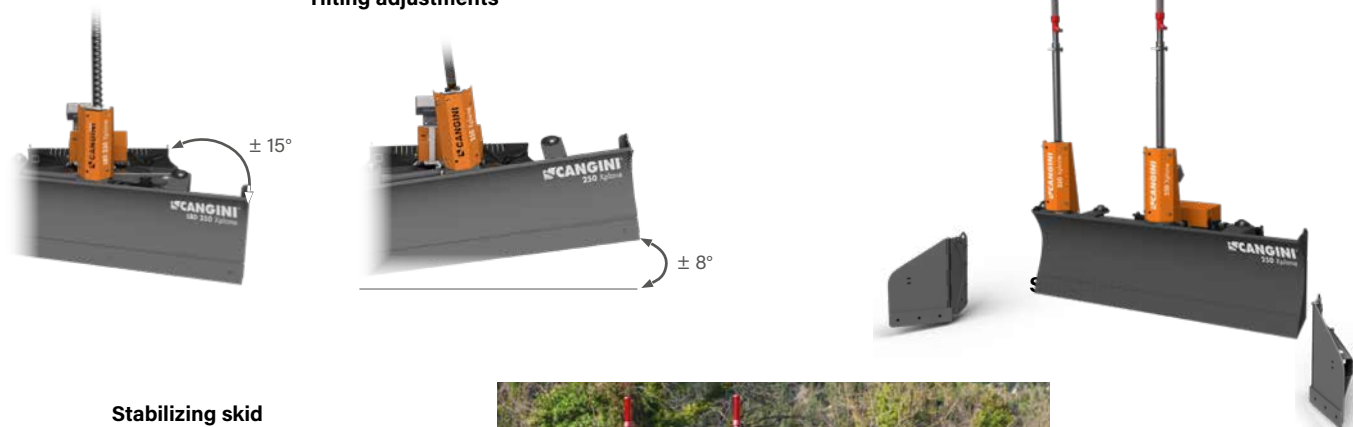
Type	Description
Side plates mechanical	Additional mechanical side blades
Side plates hydraulic	Additional hydraulic side blades

Requirements of carrier machine

Operating pressure: max. 22 MPa (220 bar) / 3.191 psi

Technical drawings

Tilting adjustments



Stabilizing skid





All XPlane laser dozer blade with the new connected onboard control box, automatically collects activity data to provide a complete and updated view of equipment activity in real time: working hours, position and movements, mode of use of the blade (automatic or manual), diagnostics. The system alerts on regular maintenance operation required, also communicated by email. In case of theft it is possible to lock the automatic functionality of your blade.

- ▷ **Wireless operator's terminal:** It allows to control the blade in all its functions directly from the cab. Operator's terminal, inside the cab, transmits commands to the control box through wireless communication. This allows the cab to be closed without wires obstacle.
- ▷ **Tilt horizontal hydraulic tilting adjustment of $\pm 8^\circ$:** Hydraulic adjustment up to max. $\pm 8^\circ$ of the blade vertical tilting angle on both sides.
- ▷ **Angle side hydraulic tilting adjustment of $\pm 15^\circ$:** Hydraulic adjustment up to max. $\pm 15^\circ$ of the blade horizontal tilting angle on both sides.
- ▷ **IOT System:** Cloud connection system receives and processes equipment activity data. Access and 36-month subscription and sim card with data traffic are included.
- ▷ **Control box:** It allows the constant view the blade positioning with respect to the laser signal and indicates the adjustments manually or automatically operated.
- ▷ **Stabilizing skid:** Can be regulated directly from the cab and increases productivity with the same quality and finishing. For correct operation, the third hose must be connected to a dump line.



Laser Dozer Blade for Skidsteers XPlane-F IOT

Type	Width (mm/in)	Depth (mm/in)	Height (mm/in)	Weight (kg/lbs)
DOZER230 XPLANE LASER IOT	2,300 / 90.5	870 / 34.2	720 / 28.3	695 / 1,532
DOZER250 XPLANE LASER IOT	2,500 / 98.4	870 / 34.2	720 / 28.3	717 / 1,581
DOZER280 XPLANE LASER IOT	2,800 / 110.2	870 / 34.2	720 / 28.3	736 / 1,623

Accessories

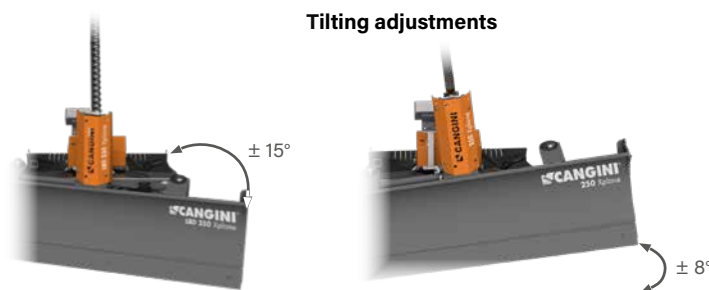
Type	Description
Side plates mechanical	Additional mechanical side blades
Side plates hydraulic	Additional hydraulic side blades

Requirements of carrier machine

Operating pressure: max. 22 MPa (220 bar) / 3.191 psi

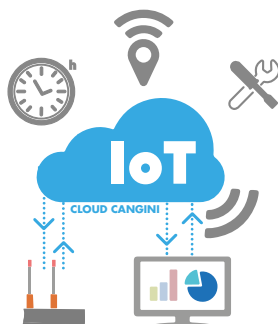
Technical drawings

Tilting adjustments

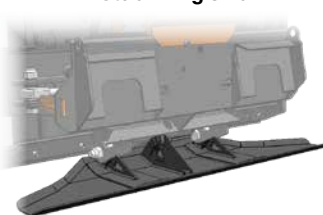


Side plates

IOT system



Stabilizing skid



A very useful tool for the enterprises charged of the asphalt laying and the street maintenance works: the sweeper bucket cleans all surfaces thoroughly thanks to its roller's adjustable distance from the ground, so that it contributes to reduce wear to a minimum. The capacity of the waste collection tank is high enough to contain large quantities of dust and gravel and clean wide areas.



Benefits:

- ▷ **Bolt-on reversible HB400 cutting edge**
- ▷ **Interchangeable skids:** They ensure an optimal working position. Once worn out, they can be replaced to restore their original efficiency.



Sweeper Bucket for Skidsteers SPZ

Type	Width (mm/in)	Depth (mm/in)	Height (mm/in)	Weight (kg/lbs)	Full load (liter/c.y)	Brush diameter (mm/in)
SPZ120	1,320 / 52	930 / 37	600 / 24	190 / 418	80 / 21	450 / 18
SPZ140	1,550 / 61	1,390 / 55	860 / 34	300 / 661	380 / 100.4	550 / 22
SPZ160	1,750 / 69	1,390 / 55	860 / 34	330 / 728	440 / 116.2	550 / 22
SPZ180	1,950 / 77	1,390 / 55	860 / 34	360 / 794	490 / 129.4	550 / 22
SPZ210	2,250 / 89	1,390 / 55	860 / 34	415 / 915	570 / 150.6	550 / 22
SPZ230	2,450 / 96	1,390 / 55	860 / 34	450 / 992	630 / 166.4	550 / 22

Accessories

Type	Description
Flowrate reducers	Mandatory on highflow machines or with oilrate higher than 70 l/min.
PPL-Steel brush	For particularly abrasive surfaces. (SPZ120 excluded).
Inside and outside sprinklers	The kit does not include the water tank and the pressure water pump. It can be employed only when the machine itself is equipped with a water tank. (only external on SPZ120)
Dust-control system	Pressurized water system with tank for the control of dusts produced during the working cycle. Sprinklers are positioned inside and outside the sweeper. (only external on SPZ120)
PPL side brush	Indicated for curbs, walls and sidewalks cleaning.
Steel side brush with rubber plate	Indicated for curbs, walls and sidewalks cleaning.
Steel side brush with steel plate	Indicated for curbs, walls and sidewalks cleaning.
Sprinklers for side brush	The kit does not include the water tank and the pressure water pump. It can be employed only when the machine itself is equipped with a water tank. (only external on SPZ120)

Requirements of carrier machine

Operating pressure:	max. 18 MPa (180 bar) / 2.611psi		
Pump capacity:	SPZ120 / SPZ140 / SPZ160 50 l/min / 13 GPM	SPZ180 60 l/min / 16 GPM	SPZ210 / SPZ230 70 l/min / 19 GPM

Technical drawings

Steel brush with rubber plate



PPL brush



Steel brush with steel plate



It is the perfect tool for maintenance and cleaning of wide areas, industrial floors and roads requiring top-notch cleaning. Designed to be even lighter and more compact in size, less long and less high, which makes this equipment even more stable and easier to handle. In addition, its low front design ensures a better view from the cab.



Benefits:

- ▷ **Compact floating system 200 mm:** It allows the sweeper to follow the ground and better the final result. Designed for machines such as loaders and telescopic loaders.
- ▷ **Angle side hydraulic tilting adjustment of $\pm 20^\circ$:** It allows the hydraulic adjustment of the tilting angle up to a max. of $\pm 20^\circ$ on each side.
- ▷ **Tilt - horizontal mechanical tilting adjustment of $\pm 10^\circ$:** It allows the mechanical adjustment of the working plane tilting angle up to a max. of $\pm 10^\circ$ on each side.
- ▷ **Roller pressure adjustment system**



Sweeper for Skidsteers EASY SWEEPY S

Type	Width (mm/in)	Depth (mm/in)	Height (mm/in)	Weight (kg/lbs)	Load capacity (liter/c.y)	Brush diameter (mm/in)
EASY SWEEPY S160	1,850 / 72.8	1,710 / 67.3	800 / 31.4	610 / 1,345	135 / 35.6	600 / 23.6
EASY SWEEPY S180	2,050 / 80.7	1,710 / 67.3	800 / 31.4	640 / 1,411	150 / 39.6	600 / 23.6
EASY SWEEPY S210	2,350 / 92.5	1,710 / 67.3	800 / 31.4	675 / 1,488	180 / 47.6	600 / 23.6
EASY SWEEPY S230	2,550 / 100.4	1,710 / 67.3	800 / 31.4	700 / 1,543	200 / 52.8	600 / 23.6

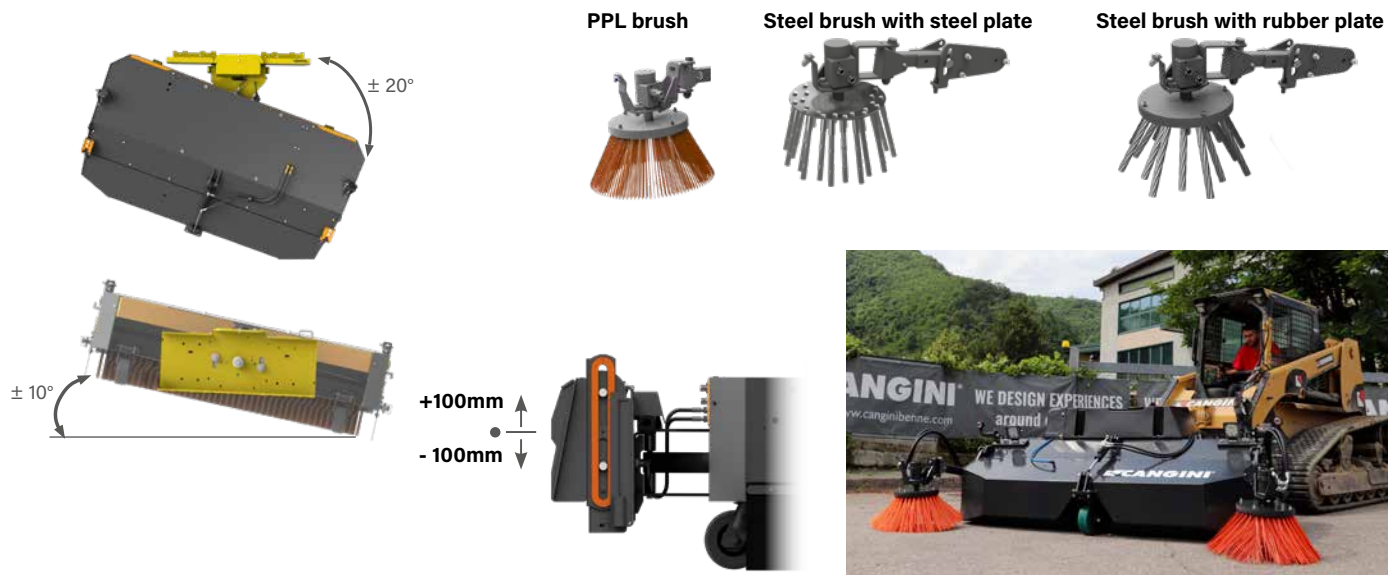
Accessories

Type	Description
Flowrate reducers	Mandatory on highflow machines or with oilrate higher than 70 l/min.
PPL-Steel brush kit	Recommended on particularly abrasive surfaces, electric on/off from operator terminal.
Dust-control system	Pressurized water system with tank for the control of dusts produced during the working cycle. Sprinklers are positioned inside the sweeper
PPL side brush	Can be mounted on the side. Indicated for curbs, walls and sidewalks cleaning.
Steel side brush with rubber plate	Can be mounted on the side. Indicated for curbs, walls and sidewalks cleaning.
Steel side brush with steel plate	Can be mounted on the side. Indicated for curbs, walls and sidewalks cleaning.

Requirements of carrier machine

Operating pressure:	max. 25 MPa (250 bar) / 3.625psi
Pump capacity max.:	70 l/min / 18.5 GPM

Technical drawings



The winning ally for maintenance and cleaning of wide areas, industrial floors and roads requiring top-notch cleaning. High-performance even on difficult slopes thanks to the angling, tilting and floating systems for a complete adaptability to the terrain, allowing the equipment to follow its course in an optimal way. The angle side hydraulic tilting adjustment of $\pm 20^\circ$ allows the tilt angle to be varied by up to 20° per side, while the mechanical tilting allows an angle of up to $\pm 10^\circ$ per side.



Benefits:

- ▷ **Angle side hydraulic tilting adjustment of $\pm 20^\circ$:** It allows the hydraulic adjustment of the tilting angle up to a max. of $\pm 20^\circ$ on each side.
- ▷ **Tilt - horizontal mechanical tilting adjustment of $\pm 10^\circ$:** It allows the mechanical adjustment of the working plane tilting angle up to a max. of $\pm 10^\circ$ on each side.

Sweeper for Skidsteers EASY SWEEPY R

Type	Width (mm/in)	Depth (mm/in)	Height (mm/in)	Weight (kg/lbs)	Brush diameter (mm/in)
EASY SWEEPY R160	1,850 / 72.8	1,300 / 51.2	800 / 31.4	330 / 728	600 / 23.6
EASY SWEEPY R180	2,050 / 80.7	1,300 / 51.2	800 / 31.4	350 / 772	600 / 23.6
EASY SWEEPY R210	2,350 / 92.5	1,300 / 51.2	800 / 31.4	375 / 827	600 / 23.6
EASY SWEEPY R230	2,550 / 100.4	1,300 / 51.2	800 / 31.4	395 / 871	600 / 23.6

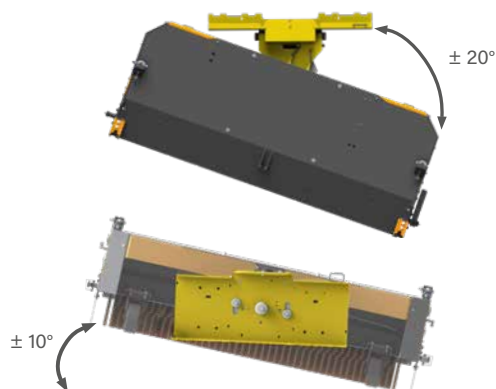
Accessories

Type	Description
Flowrate reducers	Mandatory on highflow machines or with oilrate higher than 70 l/min.
PPL-Steel brush kit	Recommended for the cleaning of particularly abrasive surfaces.
Dust-control system	Pressurized water system with tank for the control of dusts produced during the working cycle. Sprinklers are positioned inside and outside the sweeper.
Add Skirt	Adjustable front protection skirt.
Compact floating system 200mm	It allows the sweeper to follow the ground and better the final result. Designed for machines such as loaders and telescopic loaders.
Roller pressure adjustment system	Mandatory application in combination with compact floating system.
Wheels kit	Supporting wheels mandatory application in combination with compact floating system.

Requirements of carrier machine

Operating pressure:	max. 25 MPa (250 bar) / 3.625psi
Pump capacity max.:	70 l/min / 18.5 GPM

Technical drawings



KINSHOFER North America - Warranty Policy

KINSHOFER warrants its products against defects in material and workmanship for a period of two years from the date its products are available for shipment to the original purchaser.

No responsibility will be assumed by KINSHOFER for repairs or parts other than those provided or supplied by KINSHOFER.

This warranty is limited to the replacement of parts or repair of parts, if repairs are authorized by KINSHOFER.

It does not cover damages or defects due to normal wear and tear, misuse, alteration or neglect.

KINSHOFER warrants that the products shall be delivered free of any claims of any third person by way of infringement, unless specifications are provided by the purchaser in which event the purchaser, holds KINSHOFER harmless against any claims which arise out of compliance with purchaser's specifications.

No other warranty is expressed or implied and KINSHOFER assumes no responsibility for consequential damages arising from the failure of the products for any reason whatsoever, nor does it extend any warranty for any damages, whatsoever, for improper storage or handling by purchaser prior to placing into service.

The purchaser shall determine the suitability for the product, for its use, and purchaser assumes all risks and liabilities in connection therewith.

KINSHOFER North America - Returned Goods Policy

Upon written authorization, KINSHOFER products can be returned for credit, provided merchandise is unused and complete.

The customer pays freight back and a credit will be issued to the customer account upon satisfactory receipt and inspection of the returned products.

No return can be processed without the issuance of an RMA number by KINSHOFER.

A 25% restocking fee will apply to all non-warranty related returns.

KINSHOFER North America - Warnings and Cautions

Ensure the correct equipment is obtained and installed for the application.

Ratings shown in KINSHOFER literature are applicable only to new products.

Working load limits (load capacity) shown are the maximum load the product is authorized to support under normal environmental conditions.

Shock loading and abnormal conditions must be taken into account when selecting products.

Working load limits or safety factors for each KINSHOFER product may be affected by wear, misuse or environmental conditions.

Regular inspections must be conducted to ensure the equipment continues to meet the most current revision of the published standard.

Welding to any KINSHOFER products can be hazardous and should only be implemented after written permission from KINSHOFER.

KINSHOFER products are sold on the strict understanding that all product selection is the full responsibility of the purchaser.

KINSHOFER accepts no liability for the use, misuse or incorrect application of its products.



KINSHOFER Branches

Hauptsitz Deutschland:
KINSHOFER GmbH
Raiffeisenstrasse 12
83607 Holzkirchen
Tel.: +49 (0) 8021 88 99 0
Email: info@kinshofer.com
www.kinshofer.com

United Kingdom:
KINSHOFER UK Ltd.
Shipton Downs Farm
Hazleton
Cheltenham, Gloucestershire, GL54 4DX
Tel.: +44 (0) 161 406 7046
Fax: +44 (0) 161 406 7014
Email: sales-uk@kinshofer.com
www.kinshofer.com

France:
KINSHOFER France S.A.R.L.
8 Bis, rue Gabriel Voisin, CS 40003
F-51688 Reims Cedex 2
Tel.: +33 (0) 3 88 39 55 00
Fax: +33 (0) 3 88 79 06 75
Email: sales-france@kinshofer.com
www.kinshofer.com

Canada:
KINSHOFER North America
5040 Mainway Drive, Unit #11
Burlington, ON L7L 7G5
Tel.: +1 (905) 335-2856
Fax: +1 (905) 335-4529
Toll Free (North America): 1-800-268-9525
Email: sales-northamerica@kinshofer.com
www.kinshofer.com

United States of America:
KINSHOFER USA
6420 Inducon Drive
Suite G
Sanborn, NY, 14132
Tel.: +1 (716) 731-4333
Toll Free (North America): 1-800-268-9525
Email: sales-usa@kinshofer.com
www.kinshofer.com



KINSHOFER is an ISO 9001 certified Company. DVS ZERT is a registered trademark of DVS ZERT[®] e.V., Düsseldorf.

KINSHOFER Subsidiaries

Nederland:
DEMAREC B.V.
De Hork 32
NL-5431 NS Cuijk
Tel.: +31 (0) 485 442300
Fax: +31 (0) 485 442120
info@demarec.com
www.demarec.com

Sverige:
RF System AB
Furutorpsgatan 6
SE-288 34 Vinslöv
Tel.: +46 (0) 44 817 07
Fax: +46 (0) 44 859 63
Email: info@rf-system.se
www.rf-system.se

United Kingdom:
Auger Torque Europe Limited
Hazleton
Cheltenham, GL54 4DX
Tel.: +44 (0) 1451 861 652
Fax: +44 (0) 1451 861 660
Email: sales@augertorque.com
www.augertorque.com

Australia:
Auger Torque Australia Pty Ltd.
481 Boundary Road, Darra
Queensland 4076
Tel.: +61 (0) 7 3274 2077
Fax: +61 (0) 7 3274 5077
Email: sales@augertorque.com.au
www.augertorque.com.au

Australia:
Doherty Couplers & Attachments Ltd.
PO Box 701,
Annerley (Brisbane) QLD, 4103
Tel.: +61 1 800 057 021
Email: sales@dohertydirect.net
www.dohertydirect.net

New Zealand:
Doherty Engineered Attachments Ltd.
PO Box 9339, Greerton
Tauranga 3142
Tel.: +64 7 574 3000
Fax: +64 7 574 8030
Email: sales@dohertydirect.net
www.dohertydirect.net

United States of America:
Solesbee's LLC
2640 Jason Industrial Parkway
Winston, GA 30187
Toll Free (North America): 1-800-419-8090
Email: sales@solesbees.com
www.solesbees.com

中国:
Auger Torque China CO., Ltd.
Baozhan Rd, Tongyi Industry Zone
Dongwu, Yinzhou, Ningbo
China 315114
Tel.: + 86 (0) 574 8848 8181
Fax: + 86 (0) 574 8848 8687
Email: john.hu@attachmenttorque.com
www.augertorque.com

Italia:
Hammer S.r.l.
Via Oleifici dell' Italia Meridionale,
lotto G1
IT-70056 Molfetta BA
Tel.: +39 080 337 5317
Email: info@hammerurope.com
www.hammereurope.com

Italia:
Cangini Benne S.r.l.
Via Savio, 29/31 47027
IT-70056 Sarsina FC
Tel.: +39 0547 698020
Fax: +39 0547 698021
Email: cangini@canginibenne.com
www.canginibenne.com

Italia:
Trevi Benne S.p.A.
Via Bergoncino, 18
IT-36025 Noventa Vicentina VI
Tel.: +39 0444 760773
Fax: +39 0444 861182
Email: info@trevibenne.it
www.trevibenne.it

United Kingdom:
Prolec
25 Benson Road,
Nuffield Industrial Estate
Poole, BH17 0GB
Tel.: +44 1202 441 000
Email: enquiries@prolec.co.uk
prolec.co.uk

Deutschland:
HGT
Hydraulikgreifer-Technologie GmbH
Handorfer Weg 19
31241 Ilsede
Tel.: +49 (0) 5172 41 00 90
Email: info@hgt-greifer.de
www.hgt-greifer.de



KINSHOFER
GROUP COMPANY