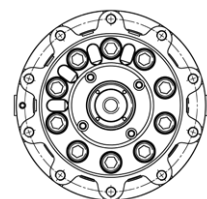
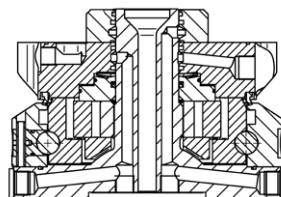
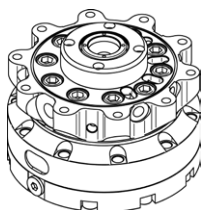
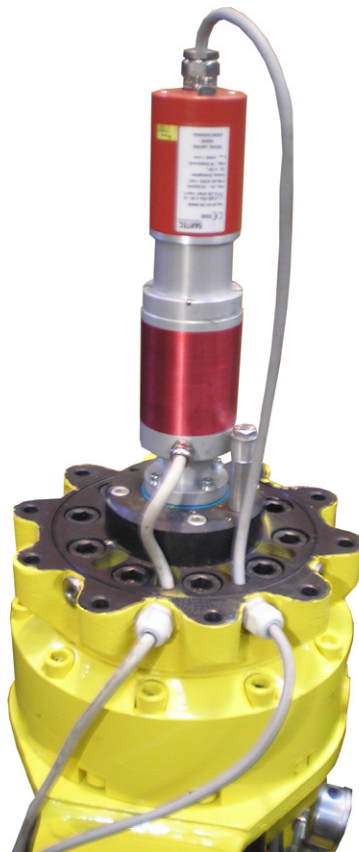




KINSHOFER
crane and excavator attachments

Rotator with Central Feedthrough KM 15 F273/273

Special and Custom Solutions



700140/2009

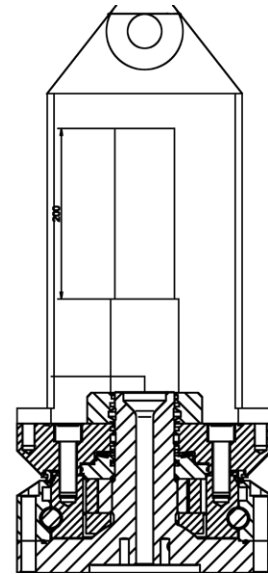
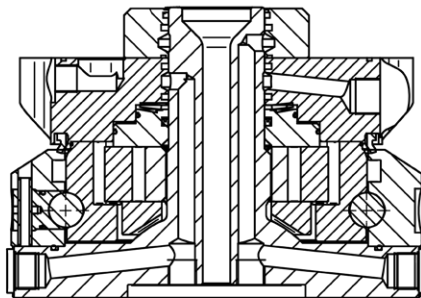
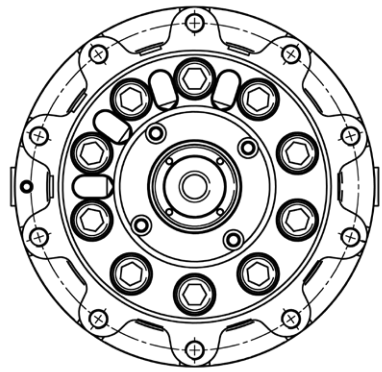
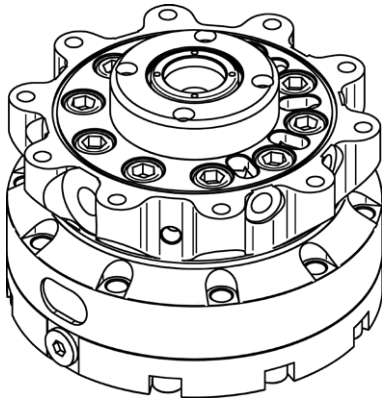
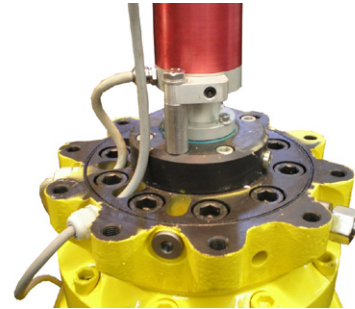
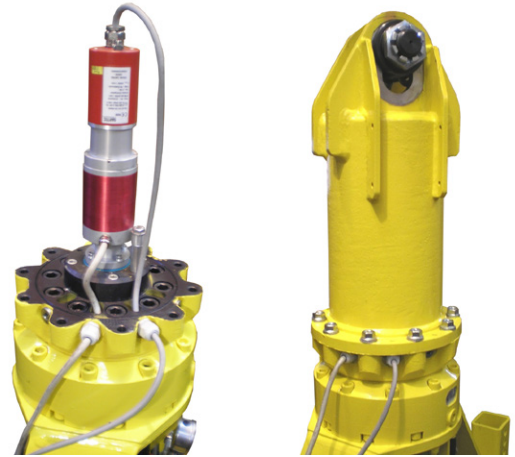
This extremely strong and flat rotator fixed at 4 points by **KINSHOFER** that has already proven its worth in a lot of operations and features a very high bending moment, is here equipped with a central feedthrough as a special version. This boring can be used to install e.g. cables for friction ring and rotary encoder. Thus an electric supply or even sensors at the grab are possible with the endless rotation.

Thanks to the possible combination with a rotary encoder, the rotational position of the grab can be read.

The rotator can be used in the Ex-Protection (ATEX) and is seawater-proof.

TECHNICAL DATA:

Operating pressure:	35 MPa (350 bar) / 5,040 psi
Oil flow:	25 - 75 l/min / 6.6 - 19.8 GPM
Load capacity:	15t / 33,000 lbs
Weight:	73 kg / 161 lbs
Internal pressure:	15 MPa (150 bar) / 2,160 psi
Bending moment:	max. 50 kNm / max. 36,875 ft.lbs
Torque:	2,000 Nm / 1,475 ft.lbs



We reserve the right to amend specifications without prior notice! **KINSHOFER** GmbH, D-83607 Holzkirchen, Germany

KINSHOFER Branches

Headquarters Germany:
KINSHOFER GmbH
Raiffeisenstrasse 12
83607 Holzkirchen
Germany
Tel.: +49 (0) 8021 88 99 0
Email: info@kinshofer.com
www.kinshofer.com



KINSHOFER is an
ISO 9001 certified Company.
DVS ZERT is a registered trademark
of DVS ZERT e.V., Düsseldorf.

