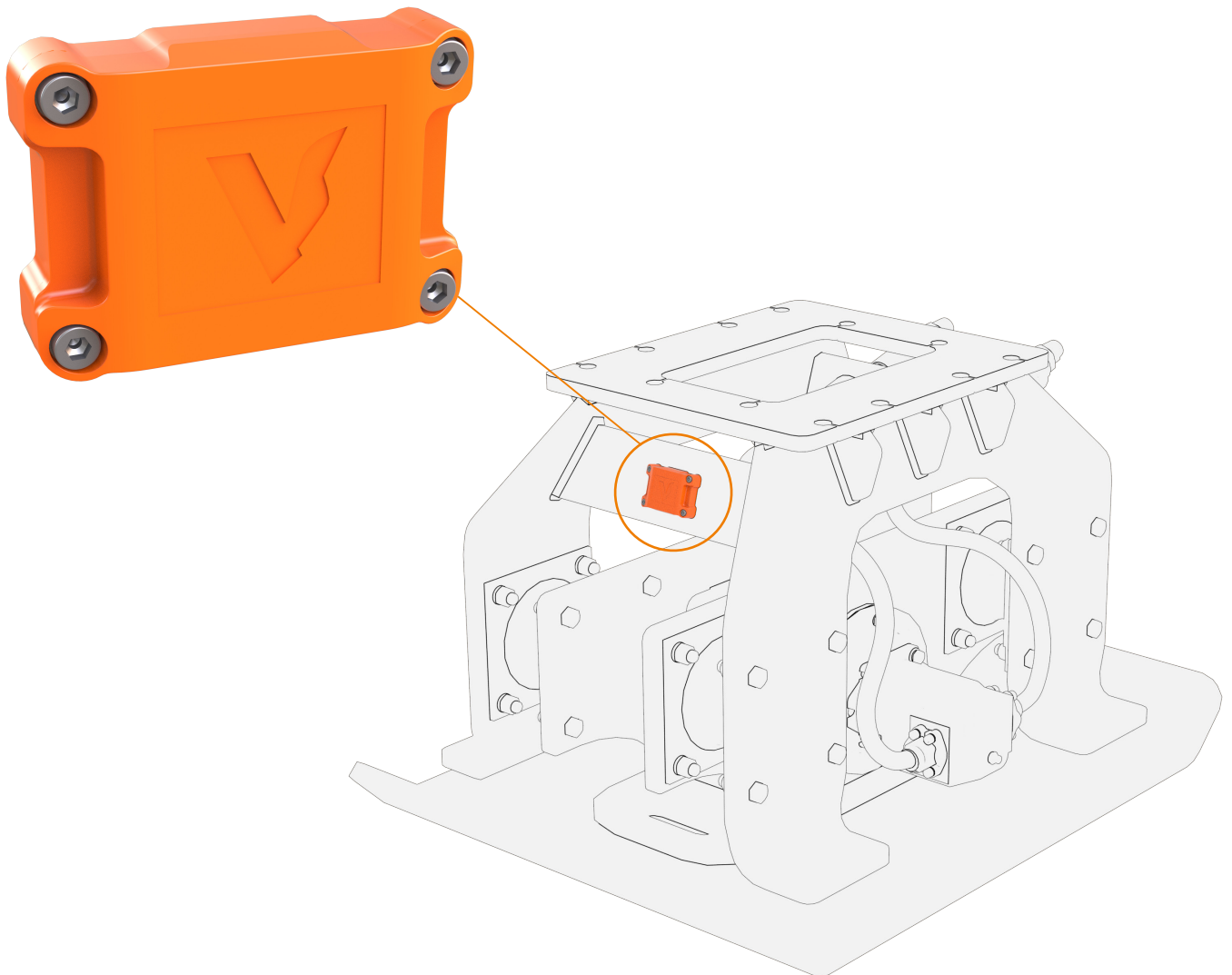




SmartTag Tool Tracker



SmartTag

by KINSHOFER & Vemcon

WHAT IS SMARTTAG?

SmartTag is a microcontrol-based tool with a communication functionality via mobile telephony and internal memory to back up information about operation, failure etc. locally.

The basic version is the SmartTag S.

Additional functions will be available with the SmartTag M which is currently in development.

Also planned is the most comprehensive version: the SmartTag L (functions of SmartTag S & M + flow rate measurement).

The tool itself only measures 15 cm, is waterproof, shock resistant, working from temperatures from -25 up to 80 °C and is equipped with an internal energy supply for approx. 2 years.

SMARTTAG S

- ▷ Location (GPS-tracking)
- ▷ Tool type (type plate, dimensions, etc.)
- ▷ Working hours with timestamp
- ▷ Automatic tool tracking in combination with NOXPROP-control
- ▷ BPM-connection

SMARTTAG M

- ▷ Range of function SmartTag S
- ▷ Acceleration measurement (position and shock)
- ▷ Service interval by amount of load change and operating hours
- ▷ Remote servicing
- ▷ Theft protection
- ▷ Auger assistent via smartphone (pressure, torque and position of auger)
- ▷ Load change determination via pressure (1 pressure sensor max.)
- ▷ Combination sensor

GPS-TRACKING

The function GPS-tracking is used to detect the location of an attachment by entitled persons. Reasons for this function are e.g. the applications planning of an attachment, the detection of a lost tool or fleet management tasks.

DIGITAL TYPE PLATE

The digital type plate provides the identical data as does the mechanical type plate like serial number, name and weight, as well as operating pressure or pressures, oil flow, customer serial number and comments (editable by customer).

The information of the type plate will be sent time-controlled once a month by the SmartTag, including time stamp. Furthermore, every change / amendment, e.g. new comment, will be transferred.

OPERATING HOURS

Here, the actually realized operating hours are provided. This information will be transferred by the SmartTag three times a day, time-controlled and including time stamp.

ACCELERATION MEASUREMENT

This function of the three-axle acceleration sensors is the detection of the attachment's position as well as of shock values. Load changes can be determined precisely via the position when using suitable attachments (e.g. buckets).

A shock is every acceleration event over 10g. All these shocks will be added up and the amount be transferred to the cloud including other values like operating hours or location. In the cloud, a superior evaluation will be realized.

SERVICE INTERVAL

This function is used for issuing a service recommendation in which a preventive service for the respective attachment will be recommended in order to prevent downtimes.

BPM-CONNECTION

The connection of the SmartTags with a fleet management system is provided, whereby this function is not directly pictured in the SmartTag, but filed in the cloud.

REMOTE SERVICING / LIVE CONNECTION

Here an energy-saving near field connection is generated. The user's smartphone is used as transmission medium to the remote servicing computer. That means an app is transferring the data to the cloud.

The live data are shown as trends on the terminal (smartphone). This way it is possible to illustrate e.g. pressure history or acceleration values of the course of time.

THEFT PROTECTION

This function shall be used to allocate an attachment to a certain area of action and alert the owner when the attachments is removed from that area without permission. The SmartTag recognizes manipulations and reports them immediately.

LOAD CHANGE DETERMINATION

This function detects load changes via the pressure sensors. However, this is only possible with suitable attachments like clamshell buckets and similar tools. The transgression of a threshold adjustable by attachment result in the increase of the load change counter. Pressure peaks or overpressure can result in alerts if configured like that.

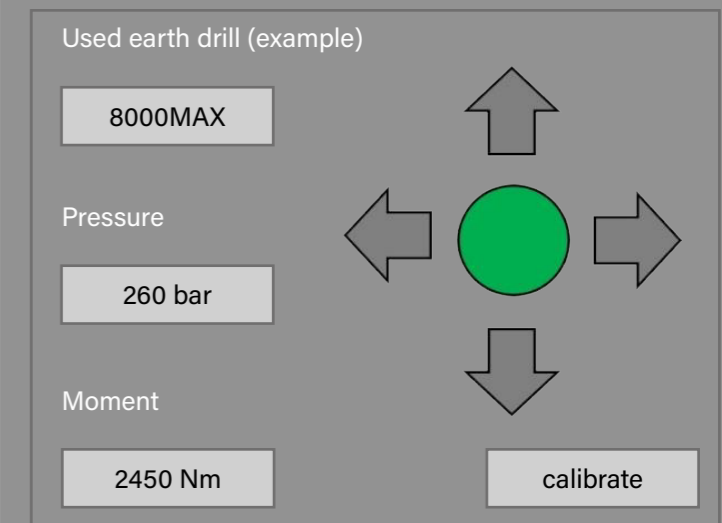
COMBINATION SENSOR

This function illustrates several physical quantities at the same time via a combination sensor. In the case of the M-version that means pressure and temperature. The flow sensor is integrated, but is only used as generator to charge the battery for the M-version.

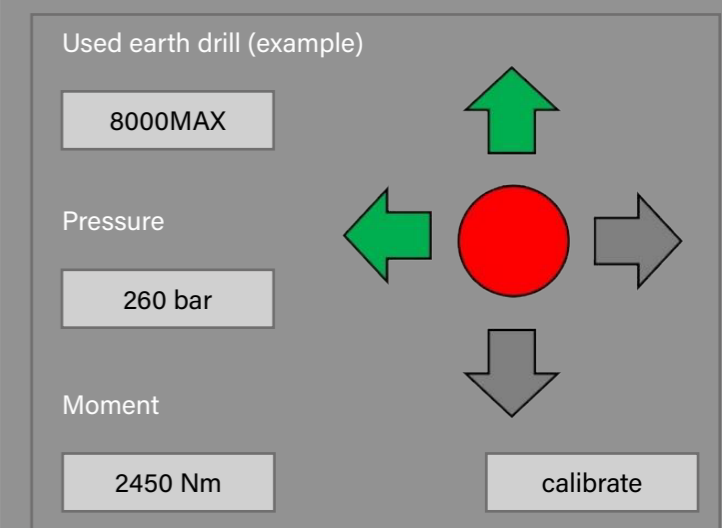
AUGER ASSISTENT

This function supports the user of an earth drill to achieve a proper drilling. An app is used, showing in an easy way with arrows in which direction the position of the earth drill needs to be readjusted. Furthermore, the app provides the option of tool choice and calibration.

The following pictures shall illustrate the application:



Earth drill readjusted



COMBINATION WITH NOX TILTROTATOR NOXPROP-CONTROL WITH ROTATION SENSOR

FEATURES:

- ▷ Optimum NOX performance due to a perfectly adapted control
- ▷ Autocalibration
- ▷ Geometry data of the attachment
- ▷ Interface to 2D/3D excavator systems
- ▷ Remote servicing
- ▷ Memory function for working profiles



NOX-TILTROTATOR

NOXProp+ TOUCHDISPLAY

KINSHOFER Branches

Hauptsitz Deutschland:
KINSHOFER GmbH
Raiffeisenstrasse 12
83607 Holzkirchen
Tel.: +49 (0) 8021 88 99 0
Email: info@kinshofer.com
www.kinshofer.com

United Kingdom:
KINSHOFER UK Ltd.
Shipton Downs Farm
Hazleton
Cheltenham, Gloucestershire, GL54 4DX
Tel.: +44 (0) 161 406 7046
Fax: +44 (0) 161 406 7014
Email: sales-uk@kinshofer.com
www.kinshofer.com

France:
KINSHOFER France S.A.R.L.
8 Bis, rue Gabriel Voisin, CS 40003
F-51688 Reims Cedex 2
Tel.: +33 (0) 3 88 39 55 00
Fax: +33 (0) 3 88 79 06 75
Email: sales-france@kinshofer.com
www.kinshofer.com

Canada:
KINSHOFER North America
5040 Mainway Drive, Unit #11
Burlington, ON L7L 7G5
Tel.: +1 (905) 335-2856
Fax: +1 (905) 335-4529
Toll Free (North America): 1-800-268-9525
Email: sales-northamerica@kinshofer.com
www.kinshofer.com

United States of America:
KINSHOFER USA
6420 Inducon Drive
Suite G
Sanborn, NY, 14132
Tel.: +1 (716) 731-4333
Toll Free (North America): 1-800-268-9525
Email: sales-usa@kinshofer.com
www.kinshofer.com

KINSHOFER Subsidiaries

Nederland:
DEMAREC B.V.
De Hork 32
NL-5431 NS Cuijk
Tel.: +31 (0) 485 442300
Fax: +31 (0) 485 442120
info@demarec.com
www.demarec.com

Sverige:
RF System AB
Furutorpsgatan 6
SE-288 34 Vinslöv
Tel.: +46 (0) 44 817 07
Fax: +46 (0) 44 859 63
Email: info@rf-system.se
www.rf-system.se

United Kingdom:
Auger Torque Europe Limited
Hazleton
Cheltenham, GL54 4DX
Tel.: +44 (0) 1451 861 652
Fax: +44 (0) 1451 861 660
Email: sales@augertorque.com
www.augertorque.com

Australia:
Auger Torque Australia Pty Ltd.
122 Boundary Road, Rocklea
Queensland 4106
Tel.: +61 (0) 7 3274 2077
Fax: +61 (0) 7 3274 5077
Email: sales@augertorque.com.au
www.augertorque.com.au

Australia:
Doherty Couplers & Attachments Ltd.
PO Box 701,
Annerley (Brisbane) QLD, 4103
Tel.: +61 1 800 057 021
Email: sales@dohertydirect.net
www.dohertydirect.net

New Zealand:
Doherty Engineered Attachments Ltd.
PO Box 9339, Greerton
Tauranga 3142
Tel.: +64 7 574 3000
Fax: +64 7 574 8030
Email: sales@dohertydirect.net
www.dohertydirect.net

United States of America:
Solesbee's LLC
2640 Jason Industrial Parkway
Winston, GA 30187
Toll Free (North America): 1-800-419-8090
Email: sales@solesbees.com
www.solesbees.com

中国:
Auger Torque China CO., Ltd.
Baozhan Rd, Tongyi Industry Zone
Dongwu, Yinzhou, Ningbo
China 315114
Tel.: + 86 (0) 574 8848 8181
Fax: + 86 (0) 574 8848 8687
Email: john.hu@attachmenttorque.com
www.augertorque.com

Italia:
Hammer S.r.l.
Via Oleifici dell' Italia Meridionale,
lotto G1
IT-70056 Molfetta BA
Tel.: +39 080 337 5317
Email: info@hammerurope.com
www.hammereurope.com

Italia:
Cangini Benne S.r.l.
Via Savio, 29/31 47027
IT-70056 Sarsina FC
Tel.: +39 0547 698020
Fax: +39 0547 698021
Email: cangini@canginibenne.com
www.canginibenne.com

