

Demolition and Sorting Grabs HD

D15H-P HD to D40H-P HD

Robust multi-purpose grab with perforated shells, for excavators up to 50t / 110,000lbs operating weight, the HD D-Series grabs are ideal for demolition and sorting of all kinds of building materials.

- ▷ **Robust Delta-box frame with dust-proof axle bearing points.** Perforated shells let fine dust and gravel through without large pieces getting caught
- ▷ **Durable and reversible cutting edges** can be used to pick up different materials, with their tips. Cutting edges on D19 series and higher can be turned three ways, reducing replacement costs.
- ▷ **Robust, fully integrated rotator** with sturdy slewing ring to withstand external forces, with pressure relief valve to ensure overload protection, and connecting hoses protected inside the hub.
- ▷ **Exceptional closing forces** achieved with a horizontally positioned hydraulic cylinder that is protected by the bucket carrier.
- ▷ **Cylinder is hydraulically cushioned.**



D24H-P-100HD

Heavy Duty Demolition and Sorting Grab D15H-P-75HD to D40H-P125HD

Type	Width E (mm/in)	Opening A (mm/in)	Height C max. (mm/in)	Volume (liter/c.y.)	Weight (kg/lbs)	Load capacity (kg/lbs)	Closing force (kN/lbf)	Torque (Nm/ft.lbs)	Operating weight (t/lbs)
D15H-P-75HD	750 / 29.5	1,730 / 68.1	1,220*** / 48.0	340 / 0.44	855*** / 1,881	5,000 / 11,000	43 / 9,460	3,000 / 2,212.5	10 - 18 / 22,000 - 39,600
D16H-P-90HD	900 / 35.4	1,730 / 68.1	1,220*** / 48.0	415 / 0.54	895*** / 1,969	5,500 / 12,100	43 / 9,460	3,000 / 2,212.5	12 - 20 / 26,400 - 44,000
D19H-P-85HD	850 / 33.5	1,725 / 67.9	1,225 / 48.2	365 / 0.48	1,025 / 2,255	6,500 / 14,300	60 / 13,200	3,000/5,700* / 2,212.5/4,203.8	12 - 24 / 26,400 - 52,800
D20H-P-100HD	1,000 / 39.4	1,865 / 73.4	1,255 / 49.4	480 / 0.63	1,115 / 2,453	7,000 / 15,400	60 / 13,200	3,000/5,700* / 2,212.5/4,203.8	13 - 25 / 28,600 - 55,000
D24H-P-100HD	1,000 / 39.4	1,965 / 77.4	1,340 / 52.8	570 / 0.75	1,315 / 2,893	8,000 / 17,600	62 / 13,640	3,000/5,700* / 2,212.5/4,203.8	15 - 30 / 33,000 - 66,000
D25H-P-100HD	1,000 / 39.4	2,050 / 80.7	1,440*** / 56.7	650 / 0.85	1,450*** / 3,190	7,000 / 15,400	62 / 13,640	5,700** / 4,203.8	18 - 28 / 39,600 - 61,600
D27H-P-120HD	1,200 / 47.2	2,050 / 80.7	1,440*** / 56.7	760 / 0.99	1,495*** / 3,289	8,000 / 17,600	62 / 13,640	5,700** / 4,203.8	20 - 30 / 44,000 - 66,000
D32H-P-110HD	1,100 / 43.3	2,195 / 86.4	1,395 / 54.9	825 / 1.08	1,790 / 3,938	10,500 / 23,100	80 / 17,600	7,000** / 5,162.5	20 - 40 / 44,000 - 88,000
D40H-P-125HD	1,250 / 49.2	2,325 / 91.5	1,480 / 58.3	960 / 1.26	2,010 / 4,422	13,500 / 29,700	92 / 20,240	7,000** / 5,162.5	30 - 50 / 66,000 - 110,000

Package consists of: demolition and sorting grab, integrated rotation with sturdy slewing ring, cutting edges and non-return valve

Optional second heavy duty motor for D19H-P HD, D20H-P HD, D24H-P HD

Note: *optional with 2 motors for rotation **second heavy duty hydraulic motor comes standard ***incl. CW4 (integrated)

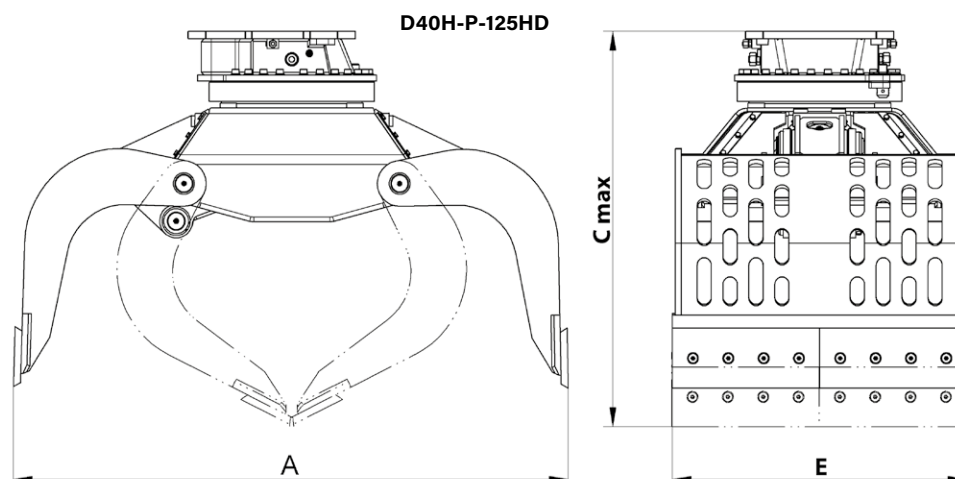
Accessories

Type	Description
KM 690	adapter for rigid mounting - up to 70t/15,400lbs
OQ	bolt-on-adapter for Oilquick - up to 70t/15,400lbs available
KSW rigid	bolt-on-adapter for system L-Lock KMS-L/KHS-L - up to 40t/88,000lbs adapters for quick change systems from other manufacturers or different sizes available on request

Requirements of carrier machine

Operating pressure (open/close):	D15-D40: max. 35 MPa (350 bar) / 5,070 psi
Pump capacity (open/close):	D15/16: max. 80 l/min / 21 GPM; D19-27: max. 100 l/min / 26.5 GPM; D32-40: max. 120 l/min / 32 GPM
Operating pressure (rotate):	D15-D40: max. 14 Mpa (140 bar) / 2,030 psi
Pump capacity (rotate):	D15-D24: max. 40 l/min / 10.5 GPM; D25-D40: 40 - max. 60 l/min / 10.5 - max. 16 GPM

Technical drawings



Demolition and Sorting Grabs HD D40H-P HD / D50H-P HD / D70H-P HD

Robust multi-purpose grab with perforated shells, for excavators up to 80t / 176,000lbs operating weight, the HD D Series grabs are ideal for demolition and sorting of all kinds of building materials.

- ▷ **Robust Delta-box frame with dust-proof axle bearing points.** Perforated shells let fine dust and gravel through without large pieces getting caught.
- ▷ **Durable and reversible cutting edges** can be used to pick up different materials, with their tips. Cutting edges can be turned three ways, reducing replacement costs.
- ▷ **Robust, fully integrated rotator** with sturdy slewing ring to withstand external forces, with pressure relief valve to ensure overload protection, and connecting hoses **protected inside the hub.**
- ▷ **Exceptional closing forces** achieved by a horizontally positioned hydraulic cylinder that is protected by the bucket carrier.
- ▷ **Cylinder is hydraulically cushioned.**



D70H-P-150HD

Heavy Duty Demolition and Sorting Grabs

Type	Width E (mm/in)	Opening A (mm/in)	Height C max. (mm/in)	Volume (liter/c.y.)	Weight (kg/lbs.)	Load capacity (kg/lbs)	Closing force (kN/lbf)	Torque (Nm/ft.lbs)	Operating weight (t/lbs)
D40H-P-125HD	1,250 / 49.2	2,325 / 91.5	1,480 / 58.3	960 / 1.26	2,010 / 4,422	13,500 / 29,700	92 / 20,240	7,000 / 5,163	30 - 50 / 66,000 - 110,000
D50H-P-140HD	1,400 / 55.1	2,325 / 91.5	1,495 / 58.9	1,075 / 1.41	2,390 / 5,258	16,500 / 36,300	92 / 20,240	7,000 / 5,163	35 - 60 / 77,000 - 132,000
D70H-P-150HD	1,500 / 59.1	2,700 / 106.3	1,820 / 71.7	1,660 / 2.17	4,165 / 9,163	23,500 / 51,700	140 / 30,800	9,000 / 6,638	50 - 80 / 110,000 - 176,000

Package consists of: demolition and sorting grab, integrated rotation with sturdy slewing ring, cutting edges and non-return valve

Accessories

Type	Description
KM 690	adapter for rigid mounting – up to 70t/154,000lbs
OQ	bolt-on-adapter for Oilquick – up to 70t/154,000lbs available
	adapters for quick change systems from other manufacturers or different sizes available on request

Requirements of carrier machine

Operating pressure (open/close):	max. 35 MPa (350 bar) / 5,070 psi
Pump capacity (open/close):	D40/D50: max. 120 l/min / 32.0 GPM; D70: max. 200 l/min/ 53.0 GPM
Operating pressure (rotate):	max. 14 Mpa (140 bar) / 2,030 psi
Pump capacity (rotate):	40 - max. 60 l/min / 10.5 - max. 16.0 GPM

Technical drawings

