

The robust earth drills for truck cranes up to 18,0 t/m are an economical and customized solution for earth drills e.g. for fencing, road signage, landscaping and tree planting. Well borings, screw pile installations and sound barrier installations are also no problem for the earth drills.

- ▷ Non Dislodgement Shaft (NDS) for more safety and lower down times, as this unique construction prevents the output shaft from dislodgement.
- ▷ Pre-filled with a colored gear oil. Not only is the use of a colored oil a good indicator of correct service, but it also aids identifying possible hydraulic oil leaks.
- ▷ The heavy duty fabricated hoods feature forged steel ears; these high strength ears easily transmit the high torsional loads, experienced whilst drilling, without becoming fatigued.
- ▷ Easy access oil service points.



Earth Drills for Truck Cranes 2300-10 / 4000-14 / 5000-14

Type	For cranes up to (t/m)	Shaft standard (in)	Shaft options (in)	Speed range (RPM)	Height (in)	Diameter (in)	Weight (lbs)	Suitable augers
2300-10	9	2.56 round	2" hex; 2.24 square	7 - 46	26.18	9.61	161	S4 100 - 600
4000-14	15	2.95 square	2.5" hex	11 - 38	30.71	10.59	238	S5 150 - 800
5000-14	9 - 18	2.95 square	2.5" hex	9 - 30	30.71	10.59	243	S5 150 - 1000

Standard package consists of: earth drill, connecting link for suspension

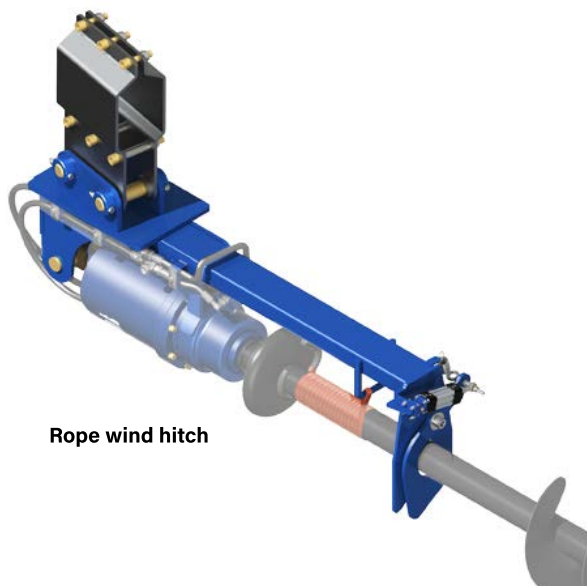
Accessories

Type	Description
S4 Ext 500	extension suitable for earth drill 2300-10 and S4 augers - 19.68 in length
S4 Ext 1000	extension suitable for earth drill 2300-10 and S4 augers - 39.37 in length
S5 Ext 1000	extension suitable for earth drills 4000-14 / 5000-14 and S5 augers - 39.37 in length
S5 Ext 1500	extension suitable for earth drills 4000-14 / 5000-14 and S5 augers - 59.05 in length
S5 Ext 2000	extension suitable for earth drills 4000-14 / 5000-14 and S5 augers - 78.74 in length
S6 TeleExt 1500	telescopic extension suitable for earth drills 5500TC / 7000TC and S5/S6 augers starting from diameter 11.81 in length 59.05 in
S6 TeleExt 2000	telescopic extension suitable for earth drills 5500TC / 7000TC and S5/S6 augers starting from diameter 11.81 in length 78.74 in
Rope wind hitch	rope wind hitch for safe position on the truck crane during transport

Technical Details

Type:	2300-10	4000-14	5000-14
Oil pressure range:	1,450 - 3,750 psi	1,450 - 3,750 psi	1,450 - 3,750 psi
Oil flow range:	1.3 - 10.5 GPM	4 - 14.5 GPM	4 - 14,5 GPM
Torque range:	707 - 2,295 ft.lbs.	1242 - 4,039 ft.lbs.	1547 - 5,029 ft.lbs.

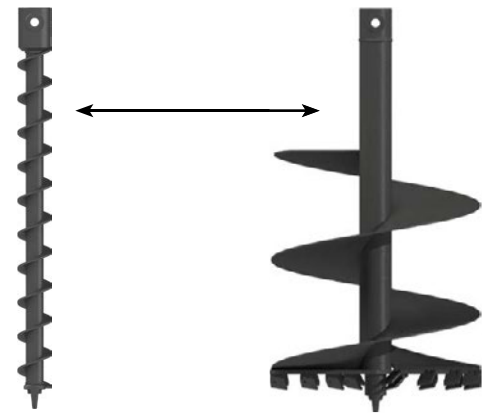
Pictures



Extensions / telescopic extension

The S4 auger is perfectly matched to the 2300-10 earth drill and every task. A constant spiral configuration and a shallow pitch flight guarantee extreme efficiency and productivity. Suitable for truck cranes up to 9 t/m .

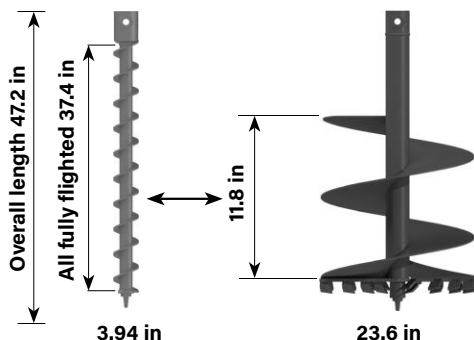
- ▷ Higher productivity by constant spiral configuration and the perfectly angled tooth holder.
- ▷ Interchangeable pilots and teeth allow for differing ground conditions.
- ▷ Easy fitting of teeth and pilots.
- ▷ Patented Shock Lock-System: incorporating a shock absorbing rubber element to protect the tungsten carbide on the tooth assembly coupled with a solid locking pin prevent tooth loss.
- ▷ High flexibility thanks to different auger extensions.



S4 Augers (specify pilot and teeth when ordering)

Type	Diameter (in)	Spiral length (in)	Total length (in)	Weight (lbs)	Number of teeth	Type of teeth
S4-100 Earth				37	0	Earth
S4-100 Tungsten	3.94	37.4	47.2	37	0	Tungsten
S4-100 Extra-Dig				37	0	Extra-Dig*
S4-150 Earth				46	2	Earth
S4-150 Tungsten	5.91	30.7	47.2	48	2	Tungsten
S4-150 Extra-Dig				48	2	Extra-Dig*
S4-200 Earth				53	2	Earth
S4-200 Tungsten	7.87	29.5	47.2	53	2	Tungsten
S4-200 Extra-Dig				53	2	Extra-Dig*
S4-225 Earth				59	2	Earth
S4-225 Tungsten	8.86	29.5	47.2	62	2	Tungsten
S4-225 Extra-Dig				59	2	Extra-Dig*
S4-250 Earth				59	3	Earth
S4-250 Tungsten	9.84	27.6	47.2	62	3	Tungsten
S4-250 Extra-Dig				62	3	Extra-Dig*
S4-300 Earth				70	4	Earth
S4-300 Tungsten	11.81	27.6	47.2	73	4	Tungsten
S4-300 Extra-Dig				70	4	Extra-Dig*
S4-350 Earth				77	4	Earth
S4-350 Tungsten	13.78	26.6	47.2	79	4	Tungsten
S4-350 Extra-Dig				79	4	Extra-Dig*
S4-400 Earth				84	5	Earth
S4-400 Tungsten	15.75	24.6	47.2	86	5	Tungsten
S4-400 Extra-Dig				84	5	Extra-Dig*
S4-450 Earth				92	6	Earth
S4-450 Tungsten	17.72	24.6	47.2	95	6	Tungsten
S4-450 Extra-Dig				95	6	Extra-Dig*
S4-500 Earth				106	6	Earth
S4-500 Tungsten	19.69	24.6	47.2	106	6	Tungsten
S4-500 Extra-Dig				106	6	Extra-Dig*
S4-600 Earth				119	8	Earth
S4-600 Tungsten	23.62	23.6	47.2	123	8	Tungsten
S4-600 Extra-Dig				121	8	Extra-Dig*

* Tungsten-teeth with special digging pilot



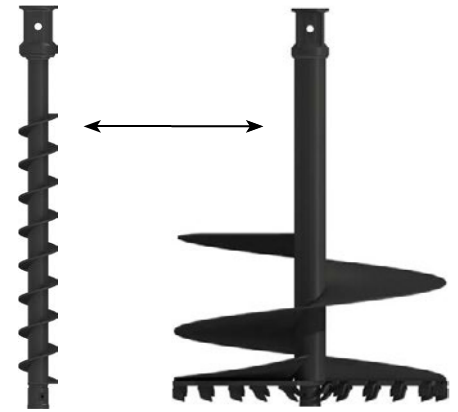
S4 Extensions



Note: all augers are fitted with shock lock tooth holder. Overall length stated includes fitted wear parts.

The S5 auger is perfectly matched to the corresponding earth drills and every task. A constant spiral configuration and a shallow pitch flight guarantee extreme efficiency and productivity. Suitable for truck cranes from 9 t/m up to 18 t/m.

- ▷ Higher productivity by constant spiral configuration and the perfectly angled tooth holder.
- ▷ Interchangeable pilots and teeth allow for differing ground conditions.
- ▷ Easy fitting of teeth and pilots.
- ▷ Patented Shock Lock-System: incorporating a shock absorbing rubber element to protect the tungsten carbide on the tooth assembly coupled with a solid locking pin prevent tooth loss.
- ▷ High flexibility thanks to different auger extensions and telescopic extensions.
- ▷ For earth drills 4000-14 and 5000-14.



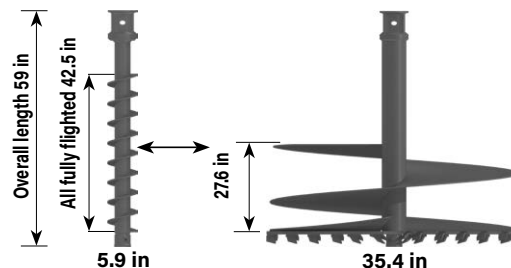
S5 Augers (specify pilot and teeth when ordering)

Type	Diameter (in)	Spiral length (in)	Total length (in)	Weight (lbs)	Number of teeth	Type of teeth
S5-150 Earth				79	0	Earth
S5-150 Tungsten	5.91	42.5	59.0	77	0	Tungsten
S5-150 Rock				77	2	Rock
S5-200 Earth				90	2	Earth
S5-200 Tungsten	7.87	38.5	59.0	88	2	Tungsten
S5-200 Rock				88	3	Rock
S5-225 Earth				99	2	Earth
S5-225 Tungsten	8.86	38.4	59.0	97	2	Tungsten
S5-225 Rock				97	4	Rock
S5-250 Earth				101	2	Earth
S5-250 Tungsten	9.84	38.0	59.0	101	2	Tungsten
S5-250 Rock				99	4	Rock
S5-300 Earth				112	4	Earth
S5-300 Tungsten	11.81	35.4	59.0	112	4	Tungsten
S5-300 Rock				110	5	Rock
S5-350 Earth				123	4	Earth
S5-350 Tungsten	13.78	35.4	59.0	123	4	Tungsten
S5-350 Rock				121	6	Rock
S5-400 Earth				136	5	Earth
S5-400 Tungsten	15.75	34.4	59.0	134	5	Tungsten
S5-400 Rock				130	7	Rock
S5-450 Earth				145	6	Earth
S5-450 Tungsten	17.72	29.5	59.0	145	6	Tungsten
S5-450 Rock				138	8	Rock
S5-500 Earth				161	6	Earth
S5-500 Tungsten	19.69	29.5	59.0	161	6	Tungsten
S5-500 Rock				161	6	Rock
S5-600 Earth				185	8	Earth
S5-600 Tungsten	23.62	29.5	59.0	185	8	Tungsten
S5-600 Rock				180	11	Rock
S5-700 Earth				218	9	Earth
S5-700 Tungsten	27.6	27.6	59.0	218	9	Tungsten
S5-700 Rock				209	13	Rock
S5-750 Earth				222	9	Earth
S5-750 Tungsten	29.5	27.6	59.0	222	9	Tungsten
S5-750 Rock				216	14	Rock
S5-800 Earth				240	9	Earth
S5-800 Tungsten	31.5	27.6	59.0	240	9	Tungsten
S5-800 Rock				249	15	Rock
S5-900 Earth				301	10	Earth
S5-900 Tungsten	35.4	27.6	59.0	301	10	Tungsten
S5-900 Rock				293	17	Rock
S5-1000 Earth				262	11	Earth
S5-1000 Tungsten	39.4	20.7	59.0	262	11	Tungsten
S5-1000 Rock				293	19	Rock

S5 Extension



S6 Telescopic extension



Note: all augers are fitted with shock lock tooth holder. The use of rock teeth depends on the rock tooth type of the auger. Overall length stated includes fitted wear parts.