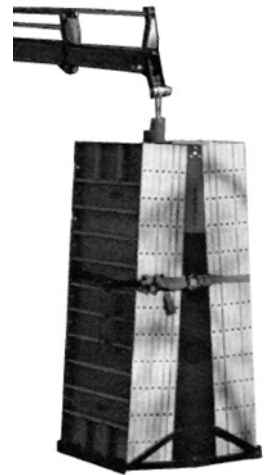


A simple, innovative and dependable system for changing lift connections. Consisting of two pieces - the Kwikbel™, which is welded onto a "target" (form basket, skid steer or gas bottle rack) and the Striker, which hangs from a hook.



- ▷ **Fast** - exchange attachments quickly as the self aligning Kwikbel™/Striker system needs no mechanical or hydraulical adjustments.
- ▷ **Economical** - the Kwikbel™/Striker system can be handled by the operator alone and no rotator hydraulics are necessary.
- ▷ **Safe** - direct contact with loads is eliminated which reduces finger pinch points; color coding allows operator to see work when fully extended.
- ▷ **Reliable** - sealed roller thrust bearing for free turning action.
- ▷ The Kwikbel™/Striker is suitable for loads up to 6,500 lbs.

Form crane tool KM 507

| Type | Description | Load capacity (lbs) | Self weight (lbs) |
|-----------|--|---------------------|-------------------|
| KM 507 01 | Kwikbel™ - welded onto a 'target' (form basket, skid steer or gas bottle rack) | 6,500 | 12 |
| KM 507 02 | Striker - hangs from a non rotating hook | 6,500 | 7 |

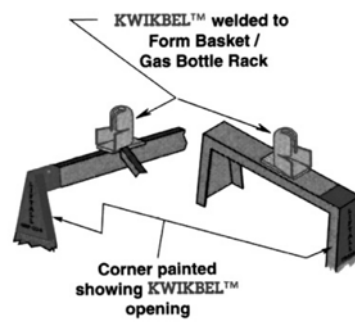
Technical details



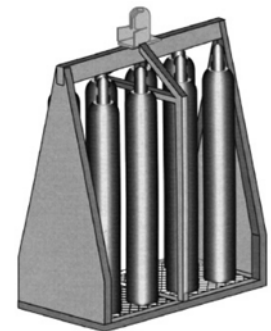
Kwikbel™



Striker



Painted corner showing Kwikbel™ opening



Kwikbel™ application at gas bottle rack

Accessories

| Type | Description | Self weight (lbs) |
|-------------------|-------------------|-------------------|
| KM 460 04 KM 04 S | non rotating hook | 26 |

Technical drawings

