

The KM 632L HPX with *HPXdrive Heavy Duty* for loading short logs, shrubbery, branches etc. A non-return valve secures constant pressure even in case of unexpected pressure drop. The revolutionary *HPXdrive* technology guarantees a reliable and virtually maintenance free attachment.

- ▷ **Reliability** of the HPXdrive. The movement of the arms of the grapple is generated by two hollow shafts, which run opposed and have a helix thread, hydraulically driven by a single piston. **No more hydraulic cylinder!**
- ▷ **Longer life cycle** up to 50%! The drive unit runs in a permanent oil bath no lubrication service is necessary. The compact design makes the HPXdrive resistant to dirt and debris.
- ▷ **Versatility** with different types of shells that can easily be refitted onto the drive unit.
- ▷ **Profitability** through low maintenance costs and longer life cycle.
- ▷ **Precise handling** with the gear-type KINSHOFER rotator and shells synchronised by the single piston turning both shafts.
- ▷ **Rotator with shaft** is available as an alternative, in case a quick change to a non-rotating hook is favoured.
- ▷ **Constant closing force** (3,900 lbf. at 4,600 psi operating pressure) for the entire opening and closing process; high efficiency provided by hydro static bearings of the axes.



Package logging grapple KM 632L HPX-HD with **KINSHOFER** flange rotator

Type	Capacity (cords)	Width (in)	max. Opening A		Height B		Self weight		Load capacity (lbs)
			bypass (in)	butt (in)	bypass (in)	butt (in)	bypass (lbs)	butt (lbs)	
KM 632L HPX-HD-0.25	0.25	18	50	57	45	32.5	790	820	6,600
KM 632L HPX-HD-0.33	0.33	18	60	67	49	36.3	850	885	6,600
KM 632L HPX-HD-0.40	0.4	18	67	73	52	39.5	890	985	6,600

Package consists of: logging grapple, KINSHOFER rotator KM 06 F140-40, upper suspension KM 501 6000, non-return valve

Please note: The grapple is available with two different closing styles: 'Butt' (tines tip to tip) or 'Bypass' (interlocking tines)

Accessories

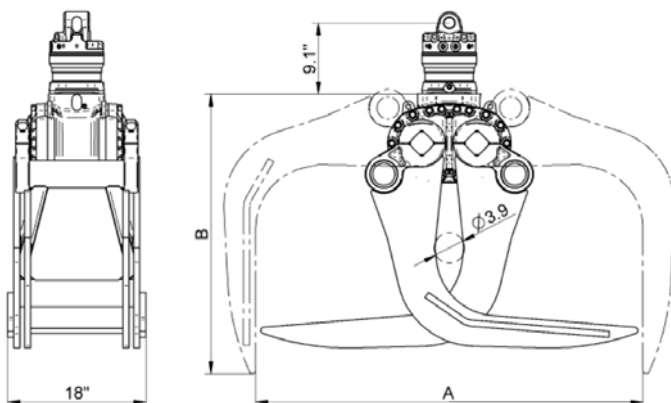
Type	Description
KM 204 01	mobile part of hydraulic quick coupling for hose (Ø 0.4 in, 2 pieces)
KM 204 02	fixed part of hydraulic quick coupling for rotator (Ø 0.4 in, 2 pieces)

Requirements of truck crane

Operating pressure: max. 4,600 psi
Recommended oil flow: 10.5 - max. 24 GPM **Mind the pressure!**

Technical drawings (here with 4t-rotator)

Bypass type



Butt type

