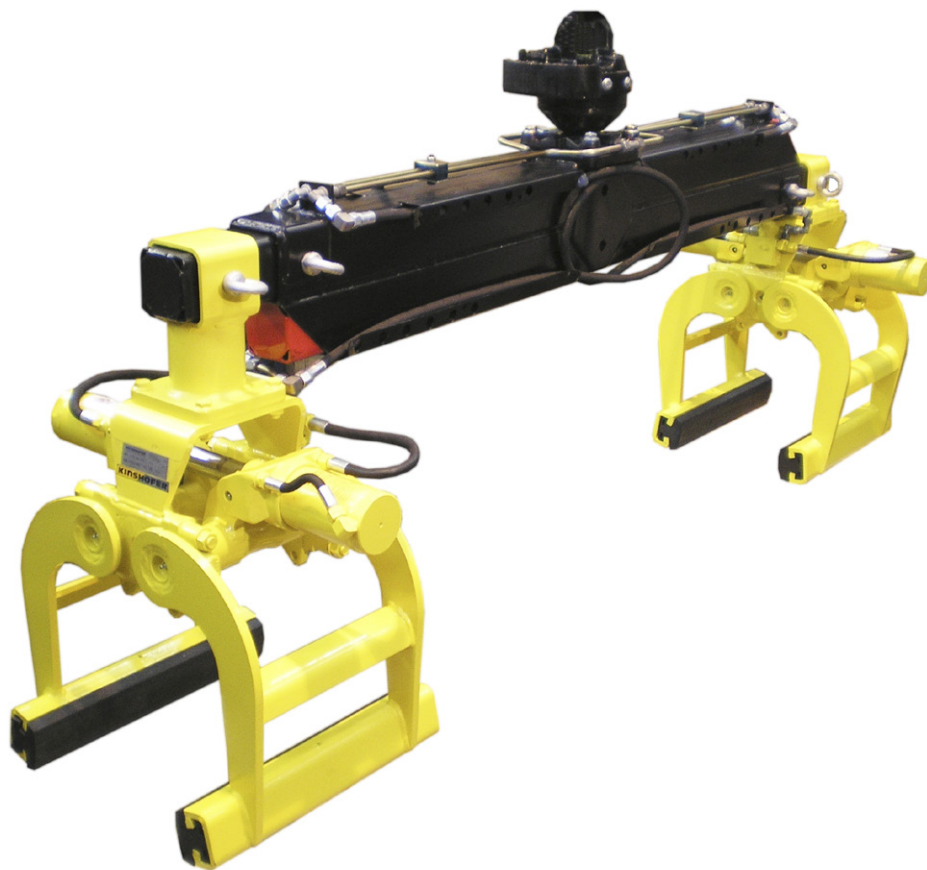




**KINSHOFER**  
crane and excavator attachments

# Guard Rail Grapple KM 626-S

## Special and Custom Solutions



700270/2010

The guard rail grapple KM 626-S with proven **KINSHOFER** rotator for loader cranes allows for precise positioning of mobile protection walls. As these walls can be quite long (12 m / 472 in), they might break when gripping them in the centre.

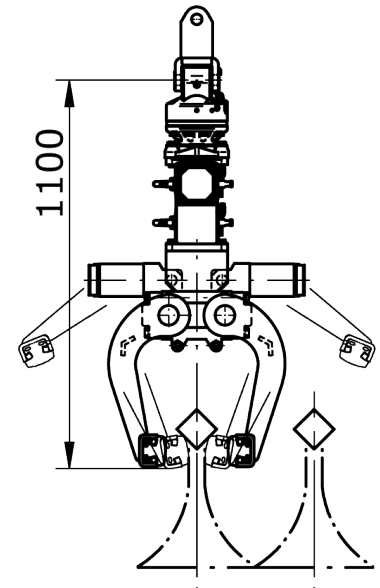
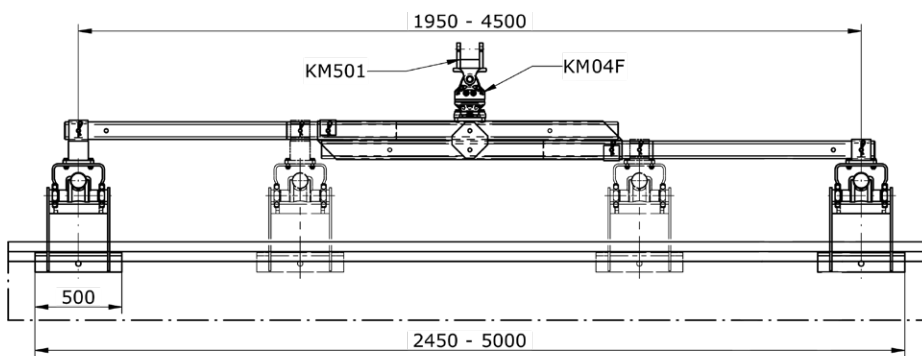
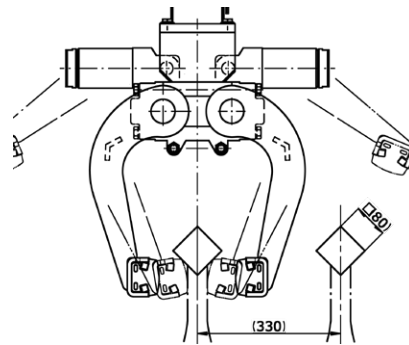
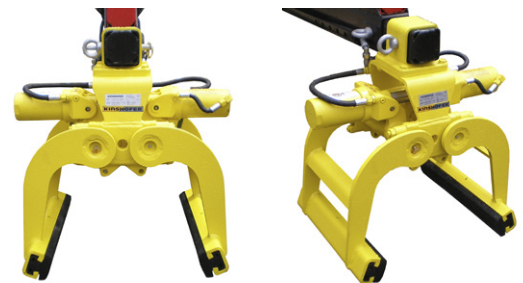
The guard rail grapple finds a remedy due to its 2 small, light grapples that are mounted to the ends of an adjustable cross bar. This cross bar is extendable up to 4,500 mm / 177 in. When put together, the total width does not exceed 2,400 mm / 94.5 in and can thus be transported crossways on the truck. The mounted rubber inserts at the gripping arms prevent the protection walls from damage when handling them.

Thanks to this tool, the protection walls can be loaded or unloaded from the truck without an additional person.

Non-return valves guarantee a safe operation due to the secure retention of loads even at pressure drops.

## TECHNICAL DATA:

<b>Operating Pressure:</b>	20 MPa (200 bar) / 2,880 psi
<b>Pump Capacity:</b>	25 - 75 l/min / 6.6 - 19.8 GPM
<b>Load Capacity:</b>	2,000 kg / 4,400 lbs
<b>Closing Force:</b>	2 x 17 kN / 2 x 3,740 lbf
<b>Weight:</b>	450 kg / 990 lbs



We reserve the right to amend specifications without prior notice! **KINSHOFER** GmbH, D-83607 Holzkirchen, Germany

## KINSHOFER Branches

Headquarters Germany:  
**KINSHOFER** GmbH  
 Raiffeisenstrasse 12  
 83607 Holzkirchen  
 Germany  
 Tel.: +49 (0) 8021 88 99 0  
 Email: info@kinshofer.com  
 www.kinshofer.com



**KINSHOFER** is an  
 ISO 9001 certified Company.  
 DVS ZERT is a registered trademark  
 of DVS ZERT e.V., Düsseldorf.

