

The technically unique KM 332 brick stack grapple is a versatile tool for palletized and non-palletized materials.

- ▷ **Rigid or adjustable plunge depth** of parallel opening and closing clamping arms - hydraulically operated.
- ▷ **Versatile tool** with opening range of 400 mm to 1400 mm i.e. for handling of single concrete products like curbstones, or handling of brick packs.
- ▷ **Handling of heavy loads** with reinforced version **KM 333**.
- ▷ **Adjustable plunge depth** of **KM 332V** and **KM 333V** can match the size of the stack-easy adaption with a mechanical latch.
- ▷ **Precise synchronisation of the arms** as a result of two in series double acting hydraulic cylinders.
- ▷ **Safety** through internal pressure relief valve (independent from crane pressure) and non-return valve (safe clamping force at pressure drop).
- ▷ **Long life** due to generously dimensioned bearings, integrated grease reservoir, automatic wear compensation of main bearing, spherical central bearing for the cylinders.
- ▷ **Easy to use** with durable and replaceable rubber inserts - simple to operate between the stacks.



KM 332V

Packages brick stack grapple KM 332 c

Type	Plunge depth (mm)	Load capacity at plunge depth min./max. (kg)	Gripping A min./max. (mm)	Height (incl. rotator) (mm)	Self weight (kg)
KM 332-1000 c	1000	2000	400 - 1400	1415	310
KM 332V-1100 c	1100 - 1650	1900 / 1350	400 - 1400	1515 - 2065	355

Package consists of: brick stack grapple, rotator KM 04 F, short connecting hoses KM 203 01, upper suspension KM 501 (4500), compression rails KM 381 29 (1000), pressure relief valve, non-return valve

Please note: compression rails will be KM 381 39 for packages in the UK. Other packages with different opening ranges available in the UK: KM 332-850c / KM 332-1000c / KM 332-1100c / KM 332-1200 / KM 332-1300c.

Brick stack grapples KM 332 / KM 333

Type	Plunge depth (mm)	Load capacity at plunge depth min./max. (kg)	Gripping A min./max. (mm)	Height (w/o rotator) (mm)	Self weight (w/o rails) (kg)
KM 332-850	850	2200	400 - 1400	1065	245
KM 332-1000	1000	2000	400 - 1400	1215	255
KM 332-1300	1300	1600	400 - 1400	1515	275
KM 332V-850	850 - 1400	2200 / 1600	400 - 1400	1065 - 1615	290
KM 332V-1100	1100 - 1650	1900 / 1350	400 - 1400	1315 - 1865	340
KM 333-850	850	3000	400 - 1400	1090	400
KM 333-1000	1000	2500	400 - 1400	1240	415
KM 333V-1100	1100 - 1650	2300 / 1600	400 - 1400	1340 - 1890	490

The price does not include the compression rails.

Wider opening ranges 400 - 1800 mm are available for KM 332 and KM 333

Please note: the load capacity listed in the table depends on the load (the surface conditions, the size of individual stones, stack size and kind of bundling). The capacity listed does not apply to stacks of low-profile and unbundled items.

Accessories

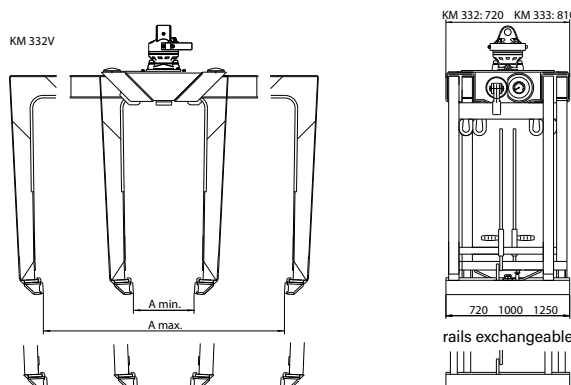
Type	Description
KM 04 F	recommended KINSHOFER rotator for KM 332 / KM 333

Requirements of truck crane


Operating pressure at oil flow:

20 - 26 MPa (200 - 260 bar) at max. 75 l/min
20 - 37 MPa (200 - 370 bar) at max. 40l/min

Technical drawings

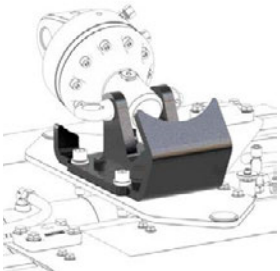





Compression rails

Type	Description	Length (mm)	Weight (kg)
 KM 381 29	KM 381 29 (720)	720	17
	KM 381 29 (1000)	1000	24
	KM 381 29 (1250)	1250	28
 KM 381 39	KM 381 39 (720)	720	24
	KM 381 39 (1000)	1000	33
	KM 381 39 (1250)	1250	42
 KM 381 32	KM 381 32 (1000)	1000	62
	KM 381 32 (1250)	1250	76
 KM 381 09	KM 381 09 (720)	720	17
	KM 381 09 (1000)	1000	23
	KM 381 09 (1250)	1250	28
KM 381 38	adapter for clamping arms to take compression rails KM 381 09		40

Please note: additional lengths of compression rails are available on request.

Others

 KM 381 08S	Non-standard opening range:	all grapples are available with opening ranges not listed		
	Non-standard plunge depth:	all grapples are available with plunge depth not listed		
	Type	Description	Weight (kg)	
	KM 381 08 S	tilting device to reduce overall height of the equipment in transport	for shaft rotators	12
	KM 381 08 F		for flange rotators	18
	KM 381 18	height reduction link to reduce the overall height of the equipment in transport - for flange rotators	15	
	KM 381 05	height stop for quick adjustment of plunge depth	8	
 KM 381 31	KM 381 06	spring loaded guide rails for stabilizing the top layer of the stack	---	
	KM 381 07	spring loaded guide plates for lateral stabilizing of the stack	---	
	KM 381 31	adapter for concrete pipes with diameters from 800 to 1350 mm	60	