

The robust earth drills for truck cranes up to 18 t/m are an economical and customized solution for earth drills e.g. for fencing, road signage, landscaping and tree planting. Well borings, screw pile installations and sound barrier installations are also no problem for the earth drills.

- ▷ **Non Dislodgement Shaft (NDS)** for more safety and lower down times, as this unique construction prevents the output shaft from dislodgement.
- ▷ Pre-filled with a **colored gear oil**. Not only is the use of a colored oil a good indicator of correct service, but it also aids identifying possible hydraulic oil leaks.
- ▷ The **heavy duty fabricated hoods feature forged steel ears**; these high strength ears easily transmit the high torsional loads, experienced whilst drilling, without becoming fatigued.
- ▷ **Easy access oil service points**.



Earth drills for truck cranes 3000TC / 5500TC / 7000TC

Type	For cranes up to (t/m)	Shaft standard (mm)	Shaft option (mm)	Speed range (RPM)	Height (mm)	Diameter (mm)	Weight (kg)	Suitable augers
3000TC	9	65 round	2" hex; 57 square	7 - 46	665	244	73	S4 100 - 600
5500TC	15	75 square	2,5" hex	11 - 38	780	269	108	S5 150 - 800
7000TC	9 - 18	75 square	2,5" hex	9 - 30	780	269	110	S5 150 - 1000

Package consists of: earth drill

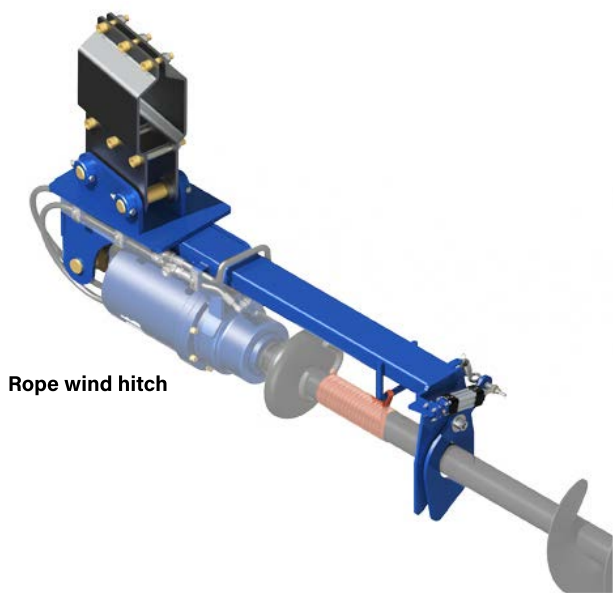
Accessories

Type	Description
S4 Ext 500	extension suitable for earth drill 3000TC and S4 augers - 500 mm
S4 Ext 1000	extension suitable for earth drill 3000TC and S4 augers - 1000 mm
S5 Ext 1000	extension suitable for earth drills 5500TC / 7000TC and S5 augers - 1000 mm
S5 Ext 1500	extension suitable for earth drills 5500TC / 7000TC and S5 augers - 1500 mm
S5 Ext 2000	extension suitable for earth drills 5500TC / 7000TC and S5 augers - 2000 mm
S6 TeleExt 1500	telescopic extension suitable for earth drills 5500TC / 7000TC and S5 augers starting from diameter 300 mm - 1500 mm length
S6 TeleExt 2000	telescopic extension suitable for earth drills 5500TC / 7000TC and S5 augers starting from diameter 300 mm - 2000 mm length
Rope Wind Hitch	rope wind hitch for safe position on the truck crane during transport
KM 501 (4500)	upper suspension without pendulum damper

Technical Details

Type:	3000TC	5500TC	7000TC
Oil pressure range:	80 - 260 bar	80 - 260 bar	80 - 240 bar
Oil flow range:	5 - 35 l/min	15 - 50 l/min	15 - 50 l/min
Torque range:	959 - 3116 Nm	1685 - 5477 Nm	2098 - 6819 Nm

Pictures



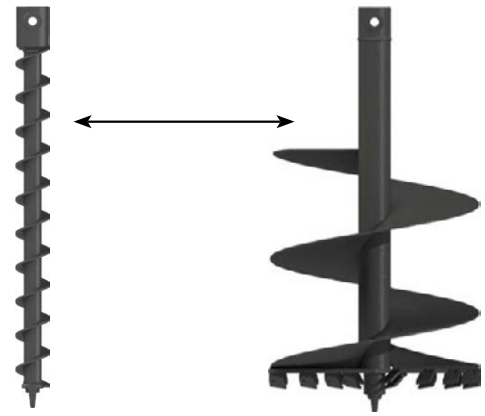
Rope wind hitch



Extensions / telescopic extension

The S4 auger is perfectly matched to the 3000TC earth drill and every task. A constant spiral configuration and a shallow pitch flight guarantee extreme efficiency and productivity. Suitable for truck cranes up to 9 t/m.

- ▷ **Higher productivity** by constant spiral configuration and the perfectly angled tooth holder.
- ▷ **Interchangeable pilots and teeth** allow for differing ground conditions.
- ▷ **Easy fitting of teeth and pilots.**
- ▷ **Patented Shock Lock-System:** incorporating a shock absorbing rubber element to protect the tungsten carbide on the tooth assembly coupled with a solid locking pin prevent tooth loss.
- ▷ High flexibility thanks to **different auger extensions.**
- ▷ **For earth drill 3000TC.**

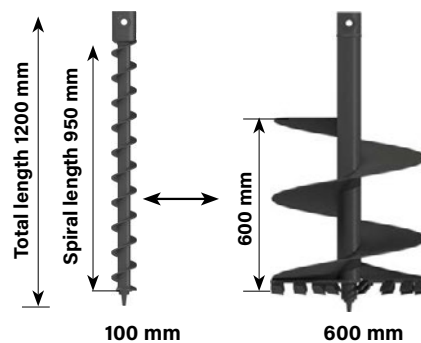


S4 Augers (specify pilot and teeth when ordering)

Type	Diameter (mm)	Spiral length (mm)	Total length (mm)	Weight (kg)	Number of teeth	Type of teeth
S4-100 Earth				17	0	Earth
S4-100 Tungsten	100	950	1200	17	0	Tungsten
S4-100 Extra-Dig				17	0	Extra-Dig*
S4-150 Earth				21	2	Earth
S4-150 Tungsten	150	780	1200	22	2	Tungsten
S4-150 Extra-Dig				22	2	Extra-Dig*
S4-200 Earth				24	2	Earth
S4-200 Tungsten	200	750	1200	24	2	Tungsten
S4-200 Extra-Dig				24	2	Extra-Dig*
S4-225 Earth				27	2	Earth
S4-225 Tungsten	225	750	1200	28	2	Tungsten
S4-225 Extra-Dig				27	2	Extra-Dig*
S4-250 Earth				27	3	Earth
S4-250 Tungsten	250	700	1200	28	3	Tungsten
S4-250 Extra-Dig				28	3	Extra-Dig*
S4-300 Earth				32	4	Earth
S4-300 Tungsten	300	700	1200	33	4	Tungsten
S4-300 Extra-Dig				32	4	Extra-Dig*
S4-350 Earth				35	4	Earth
S4-350 Tungsten	350	675	1200	36	4	Tungsten
S4-350 Extra-Dig				36	4	Extra-Dig*
S4-400 Earth				38	5	Earth
S4-400 Tungsten	400	625	1200	39	5	Tungsten
S4-400 Extra-Dig				38	5	Extra-Dig*
S4-450 Earth				42	6	Earth
S4-450 Tungsten	450	625	1200	43	6	Tungsten
S4-450 Extra-Dig				43	6	Extra-Dig*
S4-500 Earth				48	6	Earth
S4-500 Tungsten	500	625	1200	48	6	Tungsten
S4-500 Extra-Dig				48	6	Extra-Dig*
S4-600 Earth				54	8	Earth
S4-600 Tungsten	600	600	1200	56	8	Tungsten
S4-600 Extra-Dig				55	8	Extra-Dig*

* Tungsten-teeth with special digging pilot

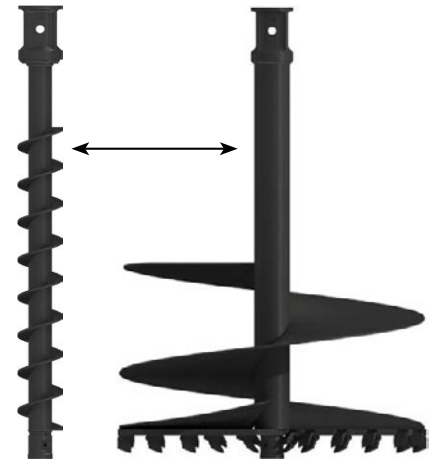
S4 Extensions



Note: All augers mentioned above are equipped with Shock Lock tooth holders. Total length is length including pilot.

The S5 auger is perfectly matched to the corresponding earth drills and every task. A constant spiral configuration and a shallow pitch flight guarantee extreme efficiency and productivity. Suitable for truck cranes from 9 t/m up to 18 t/m.

- ▷ **Higher productivity** by constant spiral configuration and the perfectly angled tooth holder.
- ▷ **Interchangeable pilots and teeth** allow for differing ground conditions.
- ▷ **Easy fitting of teeth and pilots.**
- ▷ **Patented Shock Lock-System:** incorporating a shock absorbing rubber element to protect the tungsten carbide on the tooth assembly coupled with a solid locking pin prevent tooth loss.
- ▷ High flexibility thanks to **different auger extensions** and **telescopic extensions.**
- ▷ For earth drills **5500TC** and **7000TC.**



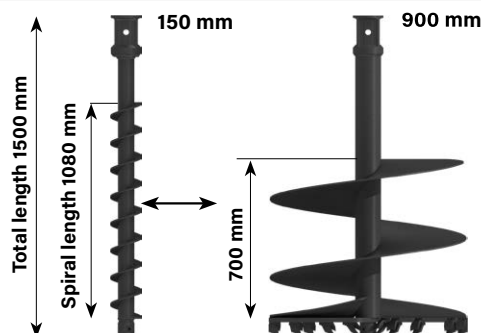
S5 Augers (specify pilot and teeth when ordering)

Type	Diameter (mm)	Spiral length (mm)	Total length (mm)	Weight (kg)	Number of teeth	Type of teeth
S5-150 Earth				36	0	Earth
S5-150 Tungsten	150	1080	1500	35	0	Tungsten
S5-150 Rock				35	2	Rock
S5-200 Earth				41	2	Earth
S5-200 Tungsten	200	977	1500	40	2	Tungsten
S5-200 Rock				40	3	Rock
S5-225 Earth				45	2	Earth
S5-225 Tungsten	225	975	1500	44	2	Tungsten
S5-225 Rock				44	4	Rock
S5-250 Earth				46	2	Earth
S5-250 Tungsten	250	965	1500	46	2	Tungsten
S5-250 Rock				45	4	Rock
S5-300 Earth				51	4	Earth
S5-300 Tungsten	300	900	1500	51	4	Tungsten
S5-300 Rock				50	5	Rock
S5-350 Earth				56	4	Earth
S5-350 Tungsten	350	900	1500	56	4	Tungsten
S5-350 Rock				55	6	Rock
S5-400 Earth				62	5	Earth
S5-400 Tungsten	400	875	1500	61	5	Tungsten
S5-400 Rock				59	7	Rock
S5-450 Earth				66	6	Earth
S5-450 Tungsten	450	750	1500	66	6	Tungsten
S5-450 Rock				63	8	Rock
S5-500 Earth				73	6	Earth
S5-500 Tungsten	500	750	1500	73	6	Tungsten
S5-500 Rock				73	6	Rock
S5-600 Earth				84	8	Earth
S5-600 Tungsten	600	750	1500	84	8	Tungsten
S5-600 Rock				82	11	Rock
S5-700 Earth				99	9	Earth
S5-700 Tungsten	700	700	1500	99	9	Tungsten
S5-700 Rock				95	13	Rock
S5-750 Earth				101	9	Earth
S5-750 Tungsten	750	700	1500	101	9	Tungsten
S5-750 Rock				98	14	Rock
S5-800 Earth				109	9	Earth
S5-800 Tungsten	800	700	1500	109	9	Tungsten
S5-800 Rock				113	15	Rock
S5-900 Earth				137	10	Earth
S5-900 Tungsten	900	700	1500	137	10	Tungsten
S5-900 Rock				133	17	Rock
S5-1000 Earth				119	11	Earth
S5-1000 Tungsten	1000	525	1500	119	11	Tungsten
S5-1000 Rock				133	19	Rock

S5 Extension



S6 Telescopic extension



Note:
All augers mentioned above are equipped with Shock Lock tooth holders. Total length is length including pilot.